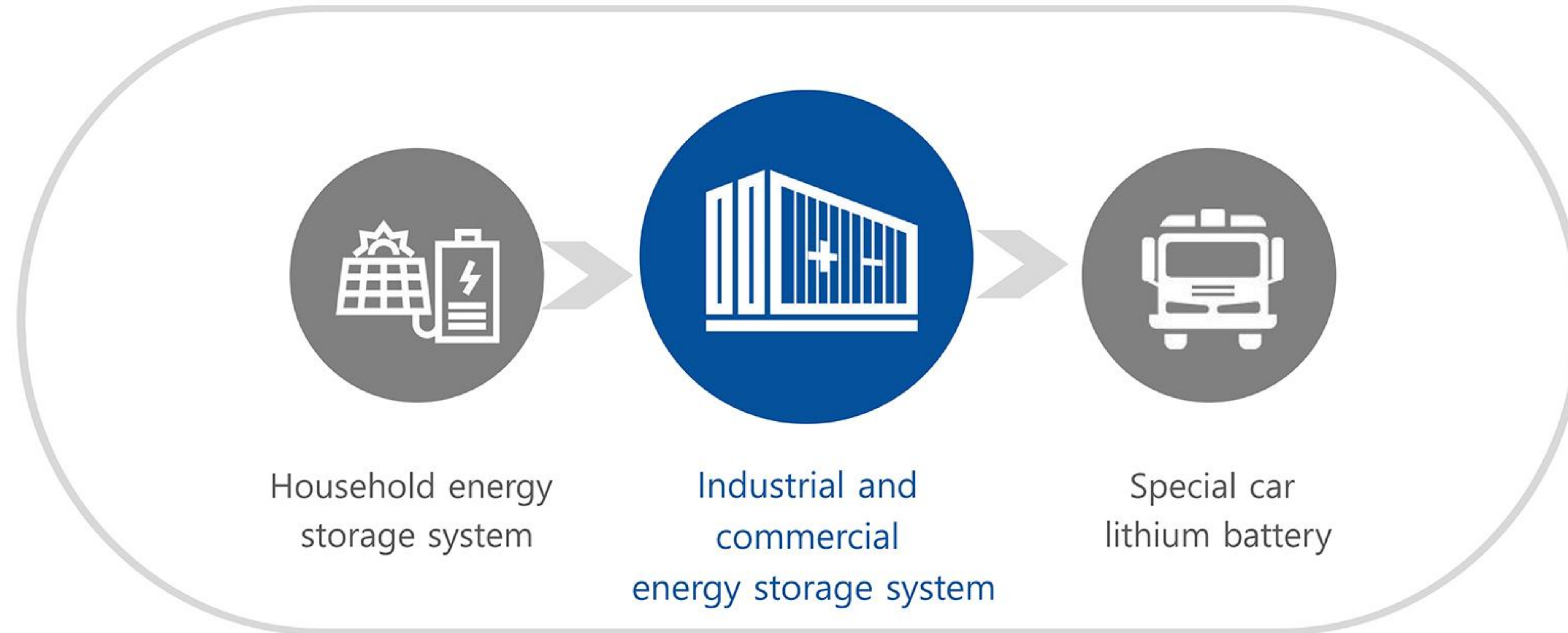
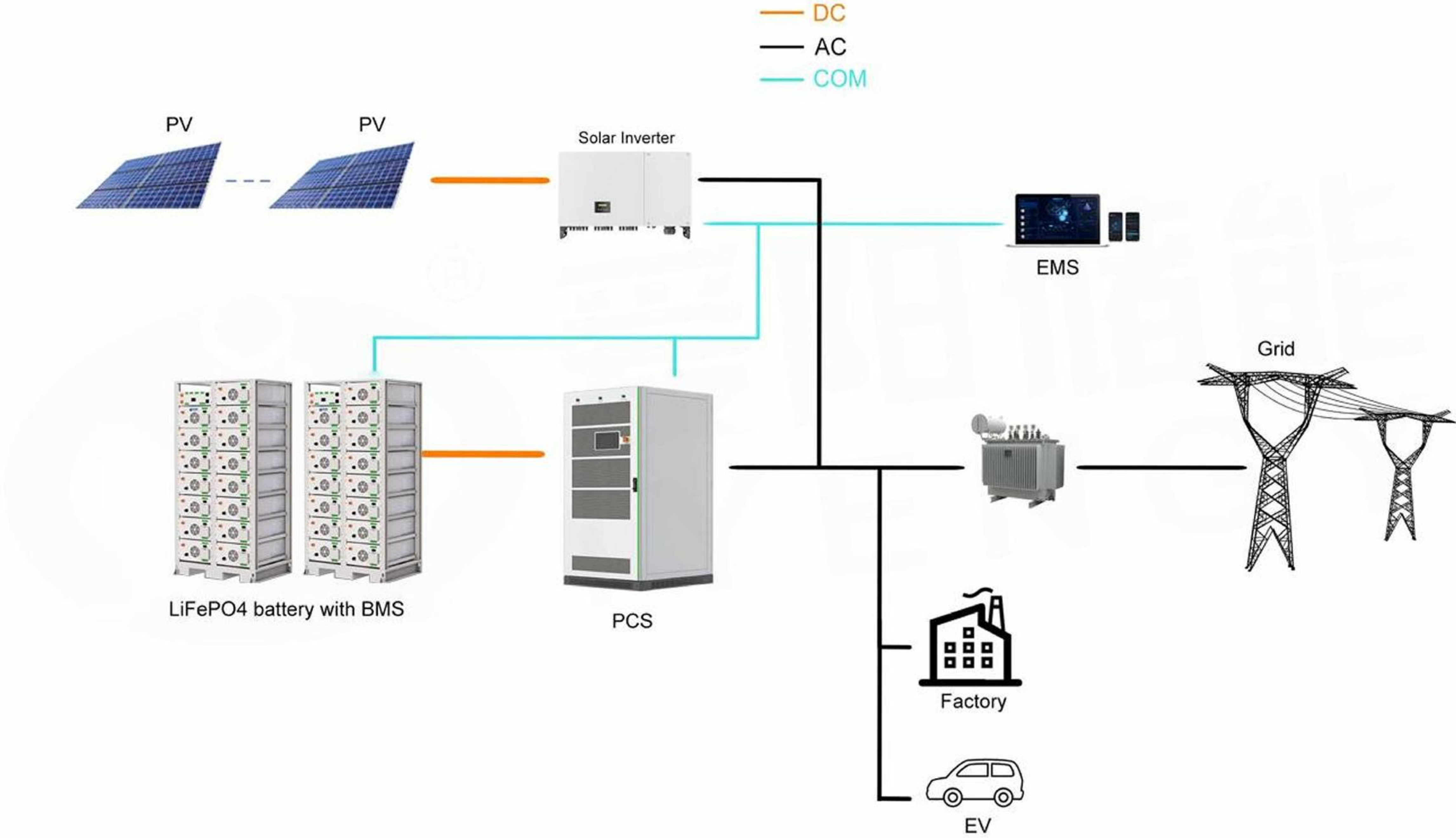


Industrial and Commercial Energy Storage System



Industrial and Commercial Energy Storage System



HV Rack Mount LiFePO4 Battery



Automotive grade BMS



Support Max 1500V System



Integrated multi-level fire protection system

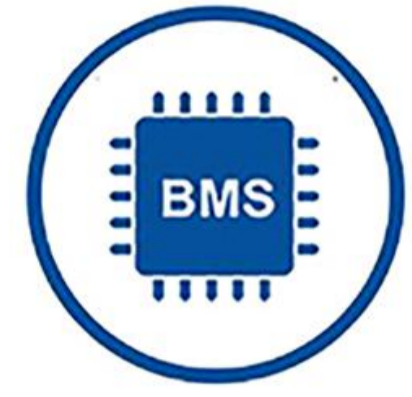


Host integrated high voltage module

Battery Model	51.2V100Ah	102V100Ah	51.2V280Ah
Nominal Voltage	51.2V	102.4V	51.2V
Rated Capacity	100Ah	100Ah	280Ah
End-of-Charge Voltage	57.6V	115V	57.6V
End-of-Discharge Voltage	43.0V	87V	43.0V
Max. Charge Current	50A	50A	100A
Max. Discharge Current	100A	100A	200A
Communication	CAN	CAN	CAN
Size (mm)	442*420*133mm/3U	442*750*133mm/3U	400*700*225mm/5U
Weight (kg)	42kg (about)	82kg (about)	105kg (about)



HV Rack Mount LiFePO4 Battery (48S 280Ah/314Ah-52S 280Ah/314Ah)



Automotive grade
BMS



Support Max 1500V
System



Integrated multi-level
fire protection
system



Host integrated high
voltage module

Battery Model	152V280Ah	166V280Ah	152V314Ah	166V314Ah
Nominal Voltage	152V	166V	152V	166V
Rated Capacity	280Ah	280Ah	314Ah	314Ah
End-of-Charge Voltage	172V	187V	172V	187V
End-of-Discharge Voltage	134V	145V	134V	145V
Max. Charge Current	100A	100A	100A	100A
Max. Discharge Current	200A	200A	200A	200A
Communication	RS485/CAN	RS485/CAN	RS485/CAN	RS485/CAN
Size (mm)	1159*825*246mm	1159*825*246mm	1159*825*246mm	1159*825*246mm
Weight (kg)	300±10kg(about)	320±10kg(about)	317±10kg(about)	340±10kg(about)



HV Rack Mount LiFePO4 Battery (307V/409V/512V/614V)



Support in series



High reliability & high security



Two-level and three-level architecture



Master integrated combiner box

Battery Model	30.7KWh	40.9KWh	51.2KWh	61.4KWh
Nominal Voltage	307V	409V	512V	614V
Rated Capacity	100Ah	100Ah	100Ah	100Ah
End-of-Charge Voltage	350V	467V	576V	700.8V
End-of-Discharge Voltage	259V	345V	432V	480V
Max. Charge Current	50A	50A	50A	50A
Max. Discharge Current	100A	100A	100A	100A
Communication	RS485/CAN	RS485/CAN	RS485/CAN	RS485/CAN
Size (mm)	550*500*1600mm	550*500*1700mm	550*500*1800mm	550*500*1900mm
Weight (kg)	345kg(about)	445kg(about)	530kg(about)	615kg(about)



HV Rack Mount LiFePO4 Battery (512V/614V/716V/768V)



Support in series



High reliability & high security



Two-level and three-level architecture



Master integrated combiner box

Battery Model	143KWh	172KWh	200KWh	215KWh
Nominal Voltage	512V	614V	716V	768V
Rated Capacity	280Ah	280Ah	280Ah	280Ah
End-of-Charge Voltage	576V	691.2V	806.4V	864V
End-of-Discharge Voltage	448V	537.6V	627.2V	672V
Max. Charge Current	140A	140A	140A	140A
Max. Discharge Current	200A	200A	200A	200A
Communication	RS485/CAN	RS485/CAN	RS485/CAN	RS485/CAN
Size (mm)	1000*800*1620mm	1000*800*1850mm	1000*800*2000mm	1000*800*2050mm
Weight (kg)	1500kg (about)	1850kg (about)	2000kg (about)	2085kg (about)



PCS with MPPT All-In-One



Wide input voltage range



Integrated MPPT/ PCS/ EMS



Support on-grid and off-grid output



Multi-channel MPPT

Model	100KW	200KW	300KW	500KW
PCS Rsted Power	100KW	200KW	300KW	500KW
MPPT Rated Power	100KW/1Channels	200KW/2Channels	360KW/3Channels	600KW/6Channels
Battery Voltage Range	250~850Vdc	250~850Vdc	250~850Vdc	250~850Vdc
MPPT Voltage Range	200~900Vdc	200~900Vdc	200~900Vdc	200~900Vdc
MPPT Number of Paths	1	2	3	5
AC Voltage	400Vac/230Vac	400Vac/230Vac	400Vac/230Vac	400Vac/230Vac
IP Grade	IP54	IP54	IP54	IP54
Size (mm)	/	/	/	/
Weight (kg)	/	/	/	/



Rack Mount All-In-One ESS(IP20)



Support PV and grid charging



Integrated Battery and inverter



High reliability & high security



Cost-effective

Battery Model	28.6KWh+20KW	42KWh+20KW	48KWh+30KW	57KWh+30KW
Battery Energy	28.6KWh/51.2V	42KWh/51.2V	48KWh/51.2V	57KWh/51.2V
PCS Power	10KW	10KW	30KW	30KW
MPPT Power	10KW(2Channels)	10KW(4Channels)	33KW(6Channels)	33KW(6Channels)
MPPT Voltage Range	90~450Vdc	90~450Vdc	90~450Vdc	90~450Vdc
AC Voltage	230Vac	230Vac	400Vac/230Vac	400Vac/230Vac
IP Grade	IP20	IP20	IP20	IP20
Communication	RS485/ WiFi	RS485/ WiFi	RS485/ WiFi	RS485/ WiFi
Size (mm)	670*900*950mm	670*900*1560mm	670*900*1560mm	670*900*1560mm
Weight (kg)	400kg(about)	550kg(about)	550kg(about)	650kg(about)



C&I All-In-One ESS LV(IP54)



Support PV and grid charging



Integrated Battery and inverter



Low voltage lithium battery and bidirectional inverter



Integrated two-stage fire protection

Battery Model	48KWh+30KW	57KWh+30KW
Battery Energy	48KWh	57KWh
PCS Power	30KW	30KW
MPPT Power	33KW(6Channels)	33KW(6Channels)
MPPT Voltage Range	90~450Vdc	90~450Vdc
AC Voltage	400Vac/230Vac	400Vac/230Vac
IP Grade	IP54	IP54
Communication	RS485/ WiFi	RS485/ WiFi
Size (mm)	670*900*1560mm	670*900*1560mm
Weight (kg)	550kg(about)	650kg((about))



C&I All-In-One ESS (30KW/50KWh) Battey+PCS+MPPT+Generator Port



Supports multiple units
in parallel(Hybrid)



Integrated
MPPT/ PCS/ EMS



Hybrid Inverter +
LiFePO4 Battery+
MPPT + Generator Port



Integrated fire
protection and
Air-conditioner



Model	50KWh+30KW/IP54	60KWh+30KW/IP54
Battery Energy	50KWh	60KWh
PCS Power	30KW	30KW
MPPT Power	38KW	38KW
AC Voltage	200~800Vdc(2 Channels)	200~800Vdc(2 Channels)
MPPT Voltage Range	400Vac/230Vac	400Vac/230Vac
IP Grade	IP54	IP54
System in parallel	3	3
Generator	Yes	Yes
Size (mm)	660*990*1885mm	660*990*1885mm
Weight (kg)	750kg(about)	830kg(about)

C&I All-In-One ESS (50KW/100KWh) Battery+PCS+MPPT+Generator Port



Supports multiple units in parallel(Hybrid)



Integrated MPPT/ PCS/ EMS



Hybrid Inverter + LiFePO4 Battery+ MPPT + Generator Port



Integrated fire protection and Air-conditioner

Model	100KWh+50KW/ IP54	115KWh+50KW/ IP54	128KWh+50KW/IP54
Battery Energy	100KWh	115KWh	128KWh
PCS Power	50KW	50KW	50KW
MPPT Power	70KW	70KW	70KW
AC Voltage	250~800Vdc(4 Channels)	250~800Vdc(4 Channels)	200~800Vdc(4 Channels)
MPPT Voltage range	400Vac/230Vac	400Vac/230Vac	400Vac/230Vac
IP Grade	IP54	IP54	IP54
System in parallel	3	3	3
Generator	Yes	Yes	Yes
Size (mm)	1060*1035*1850mm	1060*1035*1850mm	1060*1035*1850mm
Weight (kg)	1200kg(about)	1320kg(about)	1350kg(about)



C&I All-In-One ESS (100KW/215KWh) Battery+PCS+MPPT+Generator Port



Max.10 in parallel
(Hybrid)



Integrated
MPPT/ PCS/ EMS



Hybrid Inverter +
LiFePO4 Battery+
MPPT + Generator Port



Integrated fire
protection and
Air-conditioner

Model	215KWh+100KW/IP54	241KWh+100KW/IP54	257KWh+125KW/IP54
Battery Energy	215KWh	241KWh	257KWh
PCS Power	100KW	100KW	125KW
MPPT Power	120KW	120KW	120KW
MPPT Voltage	250~850Vdc (1 or 4 Channels)	250~850Vdc (1 or 4 Channels)	250~850Vdc (1 or 4 Channels)
AC Voltage	400Vac/230Vac	400Vac/230Vac	400Vac/230Vac
IP Grade	IP54	IP54	IP54
Parallel	10	10	10
Generator	Yes	Yes	Yes
Size (mm)	1580*1050*2090mm	1580*1050*2090mm	1580*1050*2090mm
Weight (kg)	2500kg(about)	2550kg(about)	2600kg(about)



C&I All-In-One ESS (100KW/287-362KWh) Battery+PCS+MPPT+Generator Port



Supports multiple units in parallel(Hybrid)



Integrated MPPT/ PCS/ EMS



Hybrid Inverter + LiFePO4 Battery+ MPPT + Generator Port



Integrated fire protection and Air-conditioner

Model	287KWh+100KW	305KWh+100KW	321KWh+100KW	341KWh+100KW	362KWh+100KW
Battery Energy	287KWh	305KWh	321KWh	341KWh	362KWh
PCS Power	100KW	100KW	100KW	100KW	100KW
MPPT Power	120KW	120KW	120KW	120KW	120KW
MPPT Voltage	250~850Vdc (1 or 4 Channels)	250~850Vdc (1 or 4 Channels)	250~850Vdc (1 or 4 Channels)	250~850Vdc (1 or 4 Channels)	250~850Vdc (1 or 4 Channels)
AC Voltage	400Vac/ 230Vac	400Vac/ 230Vac	400Vac/ 230Vac	400Vac/ 230Vac	400Vac/ 230Vac
IP Grade	IP54	IP54	IP54	IP54	IP54
Parallel	10	10	10	10	10
Generator	Yes	Yes	Yes	Yes	Yes
Size (mm)	1580*1190*2140mm	1580*1190*2355mm	1580*1190*2140mm	1580*1190*2355mm	1580*1190*2355mm
Weight (kg)	2800kg(about)	2930kg(about)	2950kg(about)	3100kg(about)	3230kg(about)



Industrial and Commercial All-In-One ESS Liquid Cooling System with Battery&PCS (IP65)



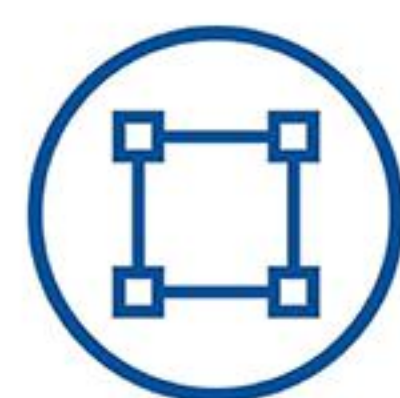
Max.20 in parallel
(Hybrid)



Integrated
BMS/ PCS/ EMS



Liquid cooling system



Smaller floor space

	China	China	China
Model	215KWh+100KW/ IP65	233KWh+100KW/ IP65	261KWh+125KW/ IP65
Battery Energy	LiFePO4 Battery	LiFePO4 Battery	LiFePO4 Battery
Long Cycle Life (cell)	8000	8000	8000
Battery Energy	215KWh	233KW	261KW
PCS Power	100KW	100KW	125KW
AC Voltage	380Vac/ 220Vac	400Vac/ 230Vac	400Vac/ 230Vac
IP Grade	IP65	IP65	IP65
System in Parallel	20	20	20
Size (mm)	800*1400*2200mm	800*1400*2200mm	800*1400*2200mm
Weight (kg)	2100kg(about)	2200kg(about)	2200kg(about)



C&I All-In-One ESS (100KW/215KWh) Battery+PCS+MPPT+Generator Port (North America & Japan)



Automotive grade process



Integrated MPPT/ PCS/ EMS



Hybrid Inverter + LiFePO4 Battery+ MPPT + Generator Port



Integrated fire protection and Air-conditioner

Model	48KWh+30KW	100KWh+50KW	158KWh+80KW	215KWh+100KW	241KWh+100KW
Battery Energy	48KWh	100KWh	158KWh	215KWh	241KWh
PCS Power	30KW	50KW	80KW	100KW	100KW
MPPT Power	30KW	100KW	120KW	120KW	120KW
MPPT Voltage	90~450Vdc (6 Channels)	250~800Vdc (4 Channels)	250~850Vdc (1 or 4 Channels)	250~850Vdc (1 or 4 Channels)	250~850Vdc (1 or 4 Channels)
AC Voltage	208Vac/120Vac 230Vac/133Vac 480Vac/277Vac	208Vac/120Vac 230Vac/133Vac 480Vac/277Vac	208Vac/120Vac 230Vac/133Vac 480Vac/277Vac	208Vac/120Vac 230Vac/133Vac 480Vac/277Vac	208Vac/120Vac 230Vac/133Vac 480Vac/277Vac
IP Grade	IP20	IP54	IP54	IP54	IP54
System in Parallel	/	3	10	10	10
Generator	/	yes	Yes	Yes	Yes
Size (mm)	600*600*1850mm	1060*1035*1850mm	1200*1050*2080mm	1580*1050*2090mm	1580*1050*2090mm
Weight (kg)	500kg(about)	1470kg(about)	1900kg(about)	2700kg(about)	2750kg(about)



Industrial and commercial container ESS

Air cooling



Automotive grade process



Integrate DC module and AC module



Support up to 1500V



Integration High Voltage PV controller

Model	20GP (1.4MWh+0.6MW)	20GP (2MWh+1MW)	40GP (4MWh+2MW)
Battery Capacity	1.45MWh	2.0MWh	4.3MWh
Rated AC Power	600KW	1000KW	2000KW
Rated AC Current	900A	1500A	3000A
Rated Grid Voltage	400Vac/230Vac	400Vac/230Vac	400Vac/230Vac
MPPT Power	720KW	960KW	1920KW
MPPT Max.Voltage	500~850Vdc	500~850Vdc	500~850Vdc
IP Grade	IP54	IP54	IP54
Size (mm)	6090*2438*2591mm	6090*2438*2591mm	12190*2438*2591mm
Weight (kg)	21500kg(about)	25500kg(about)	46500kg(about)



Industrial and commercial container ESS

Liquid cooling



Automotive grade process, safe and reliable BMS 2/3 level architecture



Integrated multi-level fire protection system



Integrated BMS/PCS/EMS



Support automatic off-grid design after blackout

Model	20GP (2MWh+1MW)	40GP (4MWh+2MW)
Battery Capacity	2MWh	4MWh
Rated AC Power	1000KW	2000KW
Rated AC Current	1500A	3000A
Rated Grid Voltage	400Vac/230Vac	400Vac/230Vac
MPPT Power	960KW	1920KW
MPPT Max.Voltage	250~850Vdc	250~850Vdc
IP Grade	IP54	IP54
Size (mm)	6090*2438*2591mm	12190*2438*2591mm
Weight (kg)	24000kg(about)	45500kg(about)



Mobile ESS with EV Charger (120KW/ 172KWh)



GBT or CCS1/ CCS2/
CHAdeMO



Integrated LiFePO4
Battery/ PV/ Charger
Module



Battery, PV and
Charger by DC Coupling



Solar/ Storage/ Charger
with DC Coupling

Model	60KWh+60KW	141KWh+120KW	172KWh+120KW	343KWh+240KW
Battery Energy	60KWh	141KWh	172KWh	343KWh
Fast Charge Power	60KW	120KW	120KW	240KW
Max. DC Precharge Power	30KW	70KW	80KW	120KW
Max. AC Precharge Power	30KW	60KW	60KW	30KW
Max. PV Precharge Power	38KW	70KW	70KW	120KW
Communication	RS485/WiFi/4G	RS485/WiFi/4G	RS485/WiFi/4G	RS485/WiFi/4G
IP Grade	IP54	IP54	IP54	IP54
Size (mm)	1100*850*1050mm	1700*1350*1000mm	1800*1650*1050mm	/
Weight (kg)	750kg (about)	1400kg (about)	1550kg (about)	/



东莞市钧赫电子科技有限公司
Dongguan Junhe Electronic Technology Co., Ltd

Based on long-term business and customer focus
Continue to create competitive products