



Website: <http://gdleishidun.com/>

Phone: +86-132-6619-0666

Whatsapp: +852-6542-3459

Email: [gdleishidun@163.com](mailto:gdleishidun@163.com)

Wechat: +86-132-6619-0666



## CATALOG

Company Profile	01/ 02	30/ 31	The Advantages Of Lithium Battery
Honor Certificates			Applications Of Lithium Battery
VRLA Battery Structural Characteristics	03/ 04	32/ 33	General Standby Baoup Lithium Battery
Vrla Battery Application Areas			
Small Series Vrla Battery	05/ 13	34/ 35	Yacht/rv Lithium Battery
24V Series Vrla Battery			
Medium Series Battery	14/ 18	36	Solar Energy Storage Systems Lithium Battery
2V Series Vrla Battery			
Front Terminal Series Vrla Battery	19/ 21	37/ 38	Motive Power Battery
Motorcycle Series Vrla Battery			Rack-mounted Home Energy Storage
Motive Series Vrla Battery	22/ 25	39/ 40	Wall Mounted Home Energy Storage
Gel Series Vrla Battery			Terminal Form And Arrangement Mode
High Rate Series Vrla Battery	26/ 27	53/ 54	Hybrid Inverter
Deep Cycle Series Vrla Battery			
Battery Instruction	28/ 29	55/ 56	Product Line/Workshop

- More than 15 years of manufacturing experience;
- Self built factory: 100,000 square meters;
- Having a plastic casing factory that matches the battery;
- The battery adopts automated assembly and assembly line operation;
- Cooperate with five or more listed companies to improve our quality system;
- Strictly control the production process and conduct seven tests on all products.



Factory Panorama



# COMPANY PROFILE

Dongguan Junhe Electronic Technology Co., Ltd is a high-tech enterprise engaged in the research and development, manufacturing, and sales of new energy products. We covers an area of 100,000 square meters and has hundreds of experienced technical personnel. The company's main products include energy storage batteries, starter batteries, backup batteries, solar system batteries, etc. They have been recognized worldwide and widely used in solar energy systems, UPS/EPS systems, security systems, communication equipment, electronic appliances, and lighting systems. We have established deep OEM cooperation relationships with multiple well-known domestic listed companies.

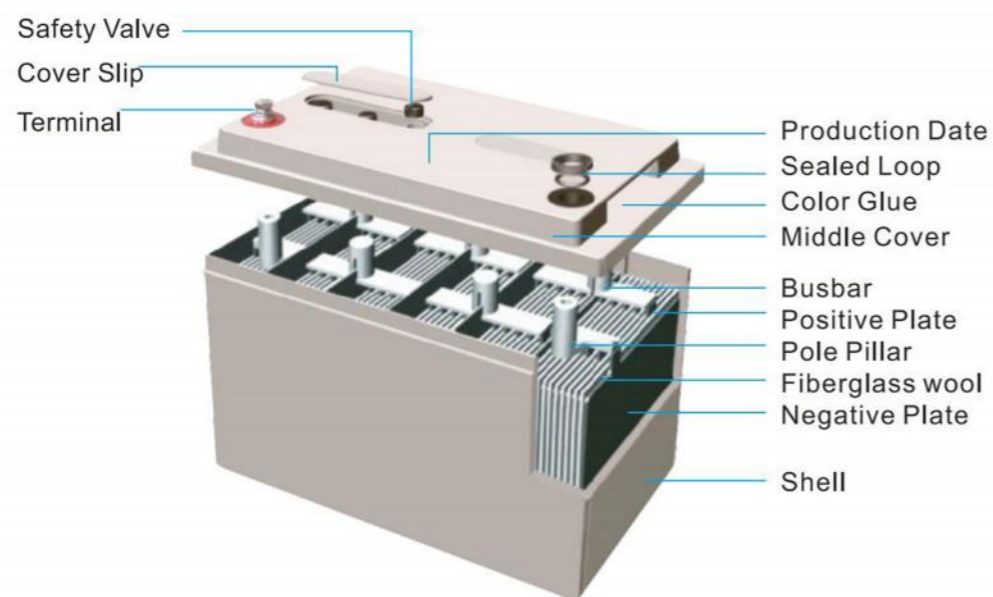
We have successively passed ISO9001 quality management system certification and been rated as an "AAA level demonstration unit for honest operation". The product has passed certifications such as UL, CE, RoHS, and sea freight certificate, and has obtained 10 utility patent certificates and 2 invention patent certificates.

We have a group of experienced technical talents, established a scientific quality management system and inspection standards, introduced first-class production equipment and inspection instruments, and grasped every link of the production process, making our battery prices and quality ahead of our peers.

In addition, we are able to develop new products according to customer requirements. Leishidun is very popular in markets in North America, Europe, the Middle East, and South America. At the same time, we have also developed new markets in East Asia, South Asia, and Africa. Leishidun always provides services with quality, reputation, and enterprising spirit. We hope to become your trusted long-term partner and achieve a win-win situation.

# HONOR CERTIFICATES





ACCESSORIE	MATERIAL	FEATURE	FUNCTION
Plate	Multi-element alloy grid coated positive and negative plates	Low corrosion rate and long cycle life	Provide sufficient capacity to ensure a long enough service life
AGM	Ultrafine fiberglass	Uniform thickness, extremely low internal resistance, high porosity, excellent compression performance	Prevent short circuit of positive and negative plates, store electrolyte, and provide oxygen recombination channel
Electrolyte	Analytical pure sulfuric acid, high-purity deionized water and special electrolyte coating additives	Extremely low conductivity and can effectively prevent micro-short circuits inside the battery	Participate in electrochemical reactions, conductors
Colloidal electrolyte (For gel battery)	Analytical pure sulfuric acid, high-purity deionized water, imported fumed silica and special colloidal additives	There is no electrolyte stratification, and it can effectively lock in moisture. It has excellent low-temperature performance, high-temperature performance and cycle performance	Participate in electrochemical reactions, conductors
Shell	ABS engineering plastics	High strength and excellent shock-proof performance	Container for electrochemical reactions
Safety valve	High quality silicone fluorine rubber	Reliable action, excellent acid resistance and anti-aging properties	Releases the internal pressure of the battery and prevents external gas from entering the inside of the battery
Terminal	Made of copper with excellent electrical conductivity and silver-plated surface	Excellent electrical conductivity and corrosion resistance	Connect to external lines



### Application areas

- ☆ Electronic scales
- ☆ Electric toys
- ☆ Electric vehicles
- ☆ Electrical tools
- ☆ Emergency lighting power supply
- ☆ Electric fan power supply
- ☆ Elevator backup power supply
- ☆ Rolling shutter door backup power supply
- ☆ Motorcycle starting power
- ☆ Mobile audio equipment
- ☆ UPS/EPS system
- ☆ Solar system
- ☆ Wind system
- ☆ Power system
- ☆ Communication equipment



### 4V1.4AH

Rated Voltage: 4V  
Rated Capacity: 1.4Ah  
Dimension: 68x26x53mm  
Weight: 220g  
Packing Quantity: 40PCS  
Carton Size: 360x245x120mm



### 4V3.0AH

Rated Voltage: 4V  
Rated Capacity: 3.0Ah  
Dimension: 47.1x29.5x100.3x105.3mm  
Weight: 290g  
Packing Quantity: 60PCS  
Carton Size: 305x295x120mm



### 4V4.0AH

Rated Voltage: 4V  
Rated Capacity: 4.0Ah  
Dimension: 47.4x47.4x99.8x104.8mm  
Weight: 420g, or 350g, 380g, 400g, 410g  
Packing Quantity: 40PCS  
Carton Size: 405x245x120mm



### 4V4.0AH-2A

Rated Voltage: 4V  
Rated Capacity: 4.0Ah  
Dimension: 69.9x47.3x98.6x103.6mm  
Weight: 590g, or 410g, 455g, 570g  
Packing Quantity: 25PCS  
Carton Size: 360x250x120mm



### 4V4.5AH

Rated Voltage: 4V  
Rated Capacity: 4.5Ah  
Dimension: 47.4x47.4x99.8x104.8mm  
Weight: 450g  
Packing Quantity: 40PCS  
Carton Size: 405x245x120mm



### 4V5.0AH

Rated Voltage: 4V  
Rated Capacity: 5.0Ah  
Dimension: 47.4x47.4x99.8x104.8mm  
Weight: 470g, or 500g  
Packing Quantity: 40PCS  
Carton Size: 405x245x120mm



### 4V6.0AH

Rated Voltage: 4V  
Rated Capacity: 6.0Ah  
Dimension: 69.9x47.3x98.6x103.6mm  
Weight: 620g, or 570g, 590g, 650g, 680g  
Packing Quantity: 25PCS  
Carton Size: 360x250x120mm



### 4V7.0AH

Rated Voltage: 4V  
Rated Capacity: 7.0Ah  
Dimension: 69.9x47.3x98.6x103.6mm  
Weight: 700g  
Packing Quantity: 25PCS  
Carton Size: 360x250x120mm



### 4V8.0AH

Rated Voltage: 4V  
Rated Capacity: 8.0Ah  
Dimension: 69.9x47.3x98.6x103.6mm  
Weight: 720g, or 760g  
Packing Quantity: 25PCS  
Carton Size: 360x250x120mm



### 6V1.3AH

Rated Voltage: 6V  
Rated Capacity: 1.3Ah  
Dimension: 98x24x52x58mm  
Weight: 260g, or 290g  
Packing Quantity: 60PCS  
Carton Size: 320x255x155mm



### 6V2.3AH

Rated Voltage: 6V  
Rated Capacity: 2.3Ah  
Dimension: 66x34x97x102mm  
Weight: 485g  
Packing Quantity: 20/PCS  
Carton Size: 285x180x120mm



### 6V2.8AH

Rated Voltage: 6V  
Rated Capacity: 2.8Ah  
Dimension: 66x34x97x102mm  
Weight: 560g  
Packing Quantity: 20/PCS  
Carton Size: 285x180x120mm



**6V3.2AH**

Rated Voltage: 6V  
 Rated Capacity: 3.2Ah  
 Dimension: 126x34x61mm  
 Weight: 570g, or 620g  
 Packing Quantity: 30PCS  
 Carton Size: 345x144x147mm



**6V4.0AH**

Rated Voltage: 6V  
 Rated Capacity: 4.0Ah  
 Dimension: 69.9x47.3x98.6x103.6mm  
 Weight: 620g, or 550g, 570g, 595g  
 Packing Quantity: 25PCS  
 Carton Size: 360x250x120mm



**6V4.0AH-2A**

Rated Voltage: 6V  
 Rated Capacity: 4.0Ah  
 Dimension: 70x47x97x101mm  
 Weight: 620g  
 Packing Quantity: 25PCS  
 Carton Size: 360x250x120mm



**6V4.0AH-3A**

Rated Voltage: 6V  
 Rated Capacity: 4.0Ah  
 Dimension: 70x47x100x104mm  
 Weight: 620g, or 600g, 650g, 680g, 700g, 760g, 800g  
 Packing Quantity: 25PCS  
 Carton Size: 360x250x120mm



**6V4.5AH**

Rated Voltage: 6V  
 Rated Capacity: 4.5Ah  
 Dimension: 47.2x29x100mm  
 Weight: 680g, or 650g  
 Packing Quantity: 60PCS  
 Carton Size: 305x295x120mm



**6V5.0AH**

Rated Voltage: 6V  
 Rated Capacity: 5.0Ah  
 Dimension: 69.9x47.3x98.6x103.6mm  
 Weight: 700g, or 710g, 720g, 730g, 750g, 800g  
 Packing Quantity: 25PCS  
 Carton Size: 360x250x120mm



**6V5.0AH-2A**

Rated Voltage: 6V  
 Rated Capacity: 5.0Ah  
 Dimension: 170x35x70mm  
 Weight: 840g, or 890g  
 Packing Quantity: 14PCS  
 Carton Size: 360x270x90mm



**6V7.0AH**

Rated Voltage: 6V  
 Rated Capacity: 7.0Ah  
 Dimension: 151x34.6x94x99mm  
 Weight: 1.12kg or 1.2kg  
 Packing Quantity: 14PCS  
 Carton Size: 320x270x120mm



**6V8.0AH**

Rated Voltage: 6V  
 Rated Capacity: 8.0Ah  
 Dimension: 151x34.6x94x99mm  
 Weight: 1.12kg or 1.2kg  
 Packing Quantity: 14PCS  
 Carton Size: 320x270x120mm



**6V10AH**

Rated Voltage: 6V  
 Rated Capacity: 10Ah  
 Dimension: 151x50x93.6x98.6mm  
 Weight: 1.52kg  
 Packing Quantity: 10PCS  
 Carton Size: 320x270x120mm



**6V12AH**

Rated Voltage: 6V  
 Rated Capacity: 12Ah  
 Dimension: 151x50x93.6x98.6mm  
 Weight: 1.62kg, or 1.7kg, 1.95kg  
 Packing Quantity: 10PCS  
 Carton Size: 320x270x120mm



**12V0.8AH**

Rated Voltage: 12V  
 Rated Capacity: 0.8Ah  
 Dimension: 97x25x63x63mm  
 Weight: 320g  
 Packing Quantity: 40PCS  
 Carton Size: 260x220x155mm



**12V1.3AH**

Rated Voltage: 12V  
 Rated Capacity: 1.3Ah  
 Dimension: 97x44x52x58mm  
 Weight: 500g, or 560g  
 Packing Quantity: 30PCS  
 Carton Size: 305x230x135mm



**12V2.2AH**

Rated Voltage: 12V  
 Rated Capacity: 2.2Ah  
 Dimension: 177x35x61x66mm  
 Weight: 780g, or 720g, 900g  
 Packing Quantity: 20PCS  
 Carton Size: 360x180x160mm



**12V2.6AH**

Rated Voltage: 12V  
 Rated Capacity: 2.6Ah  
 Dimension: 70x47x100x105mm  
 Weight: 780g, or 730g  
 Packing Quantity: 25PCS  
 Carton Size: 360x250x120mm



**12V2.6AH-2A**

Rated Voltage: 12V  
 Rated Capacity: 2.6Ah  
 Dimension: 70x47x100x105mm  
 Weight: 780g, or 730g  
 Packing Quantity: 25PCS  
 Carton Size: 360x250x120mm



**12V3.0AH**

Rated Voltage: 12V  
 Rated Capacity: 3.0Ah  
 Dimension: 90.3x47.5x100x105mm  
 Weight: 930g, or 900g  
 Packing Quantity: 20PCS  
 Carton Size: 370x245x120mm



**12V3.3AH**

Rated Voltage: 12V  
 Rated Capacity: 3.3Ah  
 Dimension: 135x68x62x67mm  
 Weight: 1.22kg, or 1.12kg, 1.32kg  
 Packing Quantity: 10PCS  
 Carton Size: 360x280x90mm



**12V4.0AH**

Rated Voltage: 12V  
 Rated Capacity: 4.0Ah  
 Dimension: 90.7x70.6x100.4x105.4mm  
 Weight: 1.3kg, or 1.12kg, 1.15kg, 1.2kg  
 Packing Quantity: 10PCS  
 Carton Size: 360x200x120mm



**12V4.5AH**

Rated Voltage: 12V  
 Rated Capacity: 4.5Ah  
 Dimension: 90.7x70.6x100.4x105.4mm  
 Weight: 1.34kg  
 Packing Quantity: 10PCS  
 Carton Size: 360x200x120mm



**12V5.0AH**

Rated Voltage: 12V  
 Rated Capacity: 5.0Ah  
 Dimension: 90.7x70.6x100.4x105.4mm  
 Weight: 1.44kg, or 1.4kg, 1.5kg, 1.54kg, 1.6kg, 1.7kg  
 Packing Quantity: 10PCS  
 Carton Size: 360x200x120mm



**12V5.0AH-2A**

Rated Voltage: 12V  
 Rated Capacity: 5.0Ah  
 Dimension: 151x50x94x100mm  
 Weight: 1.75kg, or 1.5kg, 1.6kg, 1.7kg  
 Packing Quantity: 10PCS  
 Carton Size: 320x260x120mm



**12V7.0AH**

Rated Voltage: 12V  
 Rated Capacity: 7.0Ah  
 Dimension: 151.7x65.3x94.4mm  
 Weight: 2.0kg, or 1.85kg, 1.9kg, 1.95kg  
 Packing Quantity: 10PCS  
 Carton Size: 340x310x120mm



**12V8.0AH**

Rated Voltage: 12V  
 Rated Capacity: 8.0Ah  
 Dimension: 151.7x65.3x94.4x99.4mm  
 Weight: 2.2kg, or 2.05kg, 2.1kg, 2.15kg, 2.3kg  
 Packing Quantity: 10PCS  
 Carton Size: 340x310x120mm



**12V9.0AH**

Rated Voltage: 12V  
 Rated Capacity: 9Ah  
 Dimension: 151.7x65.3x94.4x99.4mm  
 Weight: 2.5kg, or 2.4kg  
 Packing Quantity: 10PCS  
 Carton Size: 340x310x120mm



**12V10AH**

Rated Voltage: 12V  
 Rated Capacity: 10Ah  
 Dimension: 150.9x98.8x95.7x100.7mm  
 Weight: 3.0kg, or 2.6kg, 2.85kg  
 Packing Quantity: 5PCS  
 Carton Size: 320x270x120mm



**12V12AH**

Rated Voltage: 12V  
 Rated Capacity: 12Ah  
 Dimension: 150.9x98.8x95.7x100.7mm  
 Weight: 3.25kg, or 3.1kg, 3.3kg  
 Packing Quantity: 5 PCS  
 Carton Size: 320x270x120mm



**12V14AH**

Rated Voltage: 12V  
 Rated Capacity: 14Ah  
 Dimension: 150.9x98.8x95.7x100.7mm  
 Weight: 3.5kg, or 3.4kg, 3.6kg, 3.7kg, 3.8kg, 3.9kg, 4.0kg  
 Packing Quantity: 5 PCS  
 Carton Size: 316x215x123mm



**12V17AH**

Rated Voltage: 12V  
 Rated Capacity: 17Ah  
 Dimension: 180.5x76.5x167.1mm  
 Weight: 4.5kg, or 4.2kg, 3.8kg  
 Packing Quantity: 4PCS  
 Carton Size: 330x190x190mm



**12V18AH-2A**

Rated Voltage: 12V  
 Rated Capacity: 18Ah  
 Dimension: 180.5x76.5x167.1mm  
 Weight: 4.8kg  
 Packing Quantity: 4PCS  
 Carton Size: 330x190x190mm



**12V18AH**

Rated Voltage: 12V  
 Rated Capacity: 18Ah  
 Dimension: 180.5x76.5x167.1mm  
 Weight: 4.8kg,  
 Packing Quantity: 4PCS  
 Carton Size: 330x190x190mm



**12V20AH**

Rated Voltage: 12V  
 Rated Capacity: 20Ah  
 Dimension: 181.4x76.5x165.3mm  
 Weight: 5.0kg, or 5.3kg, 5.6kg  
 Packing Quantity: 4PCS  
 Carton Size: 330x190x190mm



**12V24AH-W**

Rated Voltage: 12V  
 Rated Capacity: 24Ah  
 Dimension: 174x166x126x126mm  
 Weight: 7.5kg, or 5.5kg, 6.8kg, 7.9kg, 8.3kg  
 Packing Quantity: 2PCS  
 Carton Size: 345x175x145mm



**12V24AH-L**

Rated Voltage: 12V  
 Rated Capacity: 24Ah  
 Dimension: 165x126x176x176mm  
 Weight: 7.35kg, or 6.35kg, 6.75kg, 7.75kg  
 Packing Quantity: 2PCS  
 Carton Size: 290x190x200mm



### 24V3.5AH

Rated Voltage: 24V  
 Rated Capacity: 3.5Ah  
 Dimension: 189.5x73.5x70mm  
 Weight: 2.2kg  
 Packing Quantity: 8PCS  
 Carton Size: 390x300x90mm



### 24V4.0AH

Rated Voltage: 24V  
 Rated Capacity: 4Ah  
 Dimension: 151.3x69.7x95.5x100mm  
 Weight: 2.2kg  
 Packing Quantity: 8PCS  
 Carton Size: 310x295x120mm



### 24V4.5AH

Rated Voltage: 24V  
 Rated Capacity: 4.5Ah  
 Dimension: 151.3x69.7x95.5x100mm  
 Weight: 2.55kg  
 Packing Quantity: 8PCS  
 Carton Size: 310x295x120mm



### 24V6.0AH

Rated Voltage: 24V  
 Rated Capacity: 6Ah  
 Dimension: 151.2x98.5x95.1x100mm  
 Weight: 3.8kg  
 Packing Quantity: 4PCS  
 Carton Size: 320x210x120mm



### 24V7.0AH

Rated Voltage: 24V  
 Rated Capacity: 7Ah  
 Dimension: 187.5x102.5x94.5x99.5mm  
 Weight: 3.95kg  
 Packing Quantity: 4PCS  
 Carton Size: 390x224x120mm



### 24V7.5AH

Rated Voltage: 24V  
 Rated Capacity: 7.5Ah  
 Dimension: 187.5x102.5x94.5x99.5mm  
 Weight: 4.1kg, or 4.5kg  
 Packing Quantity: 4PCS  
 Carton Size: 390x224x120mm



### 6V220AH

Rated Voltage: 6V  
 Rated Capacity: 220Ah  
 Dimension: 260x180x274x279mm  
 Weight: 28kg or 30.5kg, 31.5kg  
 Packing Quantity: 1PCS  
 Carton Size:



### 6V225AH

Rated Voltage: 6V  
 Rated Capacity: 225Ah  
 Dimension: 330x180x223x228mm  
 Weight: 30kg  
 Packing Quantity: 1PCS  
 Carton Size: 350x200x290mm



### 12V33AH

Rated Voltage: 12V  
 Rated Capacity: 33Ah  
 Dimension: 192x128x165x180mm  
 Weight: 9.4kg, or 8.2kg, 9.0kg, 10kg  
 Packing Quantity: 2PCS  
 Carton Size: 270x210x215mm



### 12V38AH

Rated Voltage: 12V  
 Rated Capacity: 38Ah  
 Dimension: 196x165x174x174mm  
 Weight: 11.7kg, or 9.0kg, 10.5kg, 12kg  
 Packing Quantity: 2PCS  
 Carton Size: 350x220x200mm



### 12V55AH

Rated Voltage: 12V  
 Rated Capacity: 55Ah  
 Dimension: 226x138x210x215mm  
 Weight: 16kg, or 14kg, 14.7kg, 17kg  
 Packing Quantity: 1PCS  
 Carton Size: 265x175x260mm



### 12V65AH

Rated Voltage: 12V  
 Rated Capacity: 65Ah  
 Dimension: 349x163x175mm  
 Weight: 18kg, or 14.5kg, 16kg, 17.5kg, 19kg, 20kg, 21kg  
 Packing Quantity: 1PCS  
 Carton Size: 360x200x210mm



**12V70AH**

Rated Voltage: 12V  
 Rated Capacity: 70Ah  
 Dimension: 260x167x210x215mm  
 Weight: 21kg, or 18.5kg, 20kg, 22kg  
 Packing Quantity: 1PCS  
 Carton Size: 282x190x253mm



**12V75AH**

Rated Voltage: 12V  
 Rated Capacity: 75Ah  
 Dimension: 260x167x210x215mm  
 Weight: 22.5kg, or 24kg  
 Packing Quantity: 1PCS  
 Carton Size: 282x190x253mm



**12V90AH**

Rated Voltage: 12V  
 Rated Capacity: 90Ah  
 Dimension: 306x168x210x215mm  
 Weight: 27kg, or 22.5kg, 25kg, 28kg, 31kg  
 Packing Quantity: 1PCS  
 Carton Size: 326x190x270mm



**12V100AH**

Rated Voltage: 12V  
 Rated Capacity: 100Ah  
 Dimension: 331x173x217x224mm  
 Weight: 28kg, or 22kg, 23kg, 24kg, 25kg, 26.5kg  
 Packing Quantity: 1PCS  
 Carton Size: 375x220x290mm



**12V100AH**

Rated Voltage: 12V  
 Rated Capacity: 100Ah  
 Dimension: 331x173x217x224mm  
 Weight: 29kg, or 31kg  
 Packing Quantity: 1PCS  
 Carton Size: 375x220x290mm



**12V120AH**

Rated Voltage: 12V  
 Rated Capacity: 120Ah  
 Dimension: 406x173x215x233mm  
 Weight: 32kg, or 25.5kg, 27kg, 29kg, 30kg, 31kg, 34.5kg  
 Packing Quantity: 1PCS  
 Carton Size: 416x180x290mm



**12V120AH**

Rated Voltage: 12V  
 Rated Capacity: 120Ah  
 Dimension: 406x173x215x233mm  
 Weight: 32kg, or 26kg, 27kg, 28kg, 29kg  
 Packing Quantity: 1PCS  
 Carton Size: 416x180x290mm



**12V120AH**

Rated Voltage: 12V  
 Rated Capacity: 120Ah  
 Dimension: 406x173x215x233mm  
 Weight: 32kg, or 26kg, 27kg, 28kg, 29kg  
 Packing Quantity: 1PCS  
 Carton Size: 416x180x290mm



**12V150AH**

Rated Voltage: 12V  
 Rated Capacity: 150Ah  
 Dimension: 482x171x240x240mm  
 Weight: 41.5kg, or 32kg, 34kg, 36.5kg, 39.5kg, 43kg  
 Packing Quantity: 1PCS  
 Carton Size: 502x187x334mm



**12V200AH**

Rated Voltage: 12V  
 Rated Capacity: 200Ah  
 Dimension: 523x240x223x226mm  
 Weight: 54kg, or 46kg, 48.5kg, 50kg, 51.5kg, 53kg, 56kg, 57kg, 59kg, 61kg  
 Packing Quantity: 1PCS  
 Carton Size: 540x255x330mm



**12V250AH**

Rated Voltage: 12V  
 Rated Capacity: 250Ah  
 Dimension: 520x267x225x228mm  
 Weight: 64kg, or 53kg, 56.5kg, 57.5kg, 60kg, 62kg, 63.5kg, 65.5kg, 66.5kg  
 Packing Quantity: 1PCS  
 Carton Size: 540x285x330mm



**2V100AH**

Rated Voltage: 2V  
 Rated Capacity: 100Ah  
 Dimension: 171x72x204x209mm  
 Weight: 5.5kg  
 Packing Quantity: 4PCS  
 Carton Size: 310x170x260mm



**2V150AH**

Rated Voltage: 2V  
 Rated Capacity: 150Ah  
 Dimension: 173x102x204x229mm  
 Weight: 8.0kg  
 Packing Quantity: 1PCS  
 Carton Size: 310x215x145mm



**2V200AH**

Rated Voltage: 2V  
 Rated Capacity: 200Ah  
 Dimension: 170x106x330x340mm  
 Weight: 11kg  
 Packing Quantity: 1PCS  
 Carton Size: 215x155x420mm



**2V300AH**

Rated Voltage: 2V  
 Rated Capacity: 300Ah  
 Dimension: 171x150x335x345mm  
 Weight: 17kg  
 Packing Quantity: 1PCS  
 Carton Size: 215x195x420mm



**2V400AH**

Rated Voltage: 2V  
 Rated Capacity: 400Ah  
 Dimension: 207x171x336x365mm  
 Weight: 24kg  
 Packing Quantity: 1PCS  
 Carton Size: 255x220x420mm



**2V500AH**

Rated Voltage: 2V  
 Rated Capacity: 500Ah  
 Dimension: 240x170x325x338mm  
 Weight: 29kg  
 Packing Quantity: 1PCS  
 Carton Size: 285x215x420mm



**2V600AH**

Rated Voltage: 2V  
 Rated Capacity: 600Ah  
 Dimension: 300x175x330x340mm  
 Weight: 35kg  
 Packing Quantity: 1PCS  
 Carton Size: 345x220x420mm



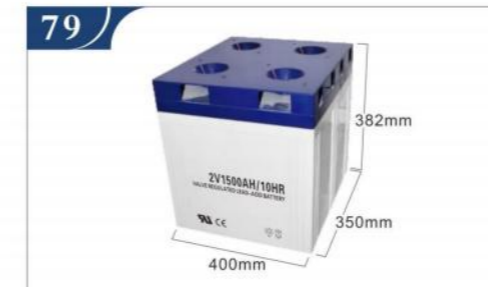
**2V800AH**

Rated Voltage: 2V  
 Rated Capacity: 800Ah  
 Dimension: 405x175x330x340mm  
 Weight: 48kg  
 Packing Quantity: 1PCS  
 Carton Size: 445x220x420mm



**2V1000AH**

Rated Voltage: 2V  
 Rated Capacity: 1000Ah  
 Dimension: 475x170x357x367mm  
 Weight: 63kg  
 Packing Quantity: 1PCS  
 Carton Size: 520x220x420mm



**2V1500AH**

Rated Voltage: 2V  
 Rated Capacity: 1500Ah  
 Dimension: 400x350x345x382mm  
 Weight: 88kg  
 Packing Quantity: 1PCS  
 Carton Size: 405x355x380mm



**2V2000AH**

Rated Voltage: 2V  
 Rated Capacity: 2000Ah  
 Dimension: 490x350x345x382mm  
 Weight: 127kg  
 Packing Quantity: 1PCS  
 Carton Size: 495x355x390mm



**2V3000AH**

Rated Voltage: 2V  
 Rated Capacity: 3000Ah  
 Dimension: 710x350x340x383mm  
 Weight: 180kg  
 Packing Quantity: 1PCS  
 Carton Size: 715x365x375mm



**FT12V55AH**

Rated Voltage: 12V  
Rated Capacity: 55Ah  
Dimension: 277x106x224x224mm  
Weight: 17.3kg  
Packing Quantity: 1PCS



**FT12V75AH**

Rated Voltage: 12V  
Rated Capacity: 75Ah  
Dimension: 570x119x187x187mm  
Weight: 27.7kg  
Packing Quantity: 1PCS



**FT12V100AH**

Rated Voltage: 12V  
Rated Capacity: 100Ah  
Dimension: 395x114x286x286mm  
Weight: 30.5kg, or 32kg  
Packing Quantity: 1PCS



**FT12V150AH**

Rated Voltage: 12V  
Rated Capacity: 150Ah  
Dimension: 552x109x290x290mm  
Weight: 45kg  
Packing Quantity: 1PCS



**FT12V180AH**

Rated Voltage: 12V  
Rated Capacity: 180Ah  
Dimension: 558x125x318x318mm  
Weight: 51kg, or 58.5kg  
Packing Quantity: 1PCS



**MF12V4.0AH/YT4L-BS**

Rated Voltage: 12V  
Rated Capacity: 4Ah  
Dimension: 113x67x88mm  
Weight: 1.3kg, or 1.28kg, 1.38kg  
Packing Quantity: 15PCS



**MF12V5.0AH-1A YT5L-BS**

Rated Voltage: 12V  
Rated Capacity: 5Ah  
Dimension: 113x68x108mm  
Weight: 1.75kg, or 1.7kg, 1.8kg  
Packing Quantity: 10PCS



**MF12V5.0AH-3B12N5-BS**

Rated Voltage: 12V  
Rated Capacity: 5Ah  
Dimension: 117x60x130mm  
Weight: 1.95kg, or 1.8kg  
Packing Quantity: 10PCS



**MF12V6.5AH/12N6.5-BS**

Rated Voltage: 12V  
Rated Capacity: 6.5Ah  
Dimension: 137x65x100mm  
Weight: 2.0kg, or 1.7kg, 1.8kg, 1.85kg, 1.9kg, 2.05kg  
Packing Quantity: 10PCS



**MF12V7.0AH-1A YT7-BS**

Rated Voltage: 12V  
Rated Capacity: 7Ah  
Dimension: 150x86x93mm  
Weight: 2.45kg, or 2.35kg, 2.55kg  
Packing Quantity: 10PCS



**MF12V7.0AH-2A/12N7A-BS**

Rated Voltage: 12V  
Rated Capacity: 7Ah  
Dimension: 114x70x131mm  
Weight: 2.25kg  
Packing Quantity: 10PCS



**MF12V7.0AH-3B/12N7B-BS**

Rated Voltage: 12V  
 Rated Capacity: 7Ah  
 Dimension: 148x57x129mm  
 Weight: 2.25kg, or 2.35kg  
 Packing Quantity: 10PCS



**MF12V7-4B/12N7C-BS**

Rated Voltage: 12V  
 Rated Capacity: 7Ah  
 Dimension: 136x77x123mm  
 Weight: 2.5kg, or 2.45kg, 2.65kg  
 Packing Quantity: 10PCS



**MF12V9.0AH-1/YT9-BS**

Rated Voltage: 12V  
 Rated Capacity: 9Ah  
 Dimension: 150x86x107mm  
 Weight: 2.68kg, or 2.55kg  
 Packing Quantity: 10只/PCS



**MF12V9.0AH-2/12N9-BS**

Rated Voltage: 12V  
 Rated Capacity: 9Ah  
 Dimension: 136x77x132mm  
 Weight: 2.75kg, or 2.65kg, 2.85kg  
 Packing Quantity: 10PCS



**MF12V12AH/YT12-BS**

Rated Voltage: 12V  
 Rated Capacity: 12Ah  
 Dimension: 151.5x87x130mm  
 Weight: 3.45kg, or 3.55kg  
 Packing Quantity: 8PCS



**MF12V14AH/YT14-BS**

Rated Voltage: 12V  
 Rated Capacity: 14Ah  
 Dimension: 132x89x163mm  
 Weight: 3.65kg, or 3.45kg  
 Packing Quantity: 8PCS



**DZM12V12AH**

Rated Voltage: 12V  
 Rated Capacity: 12Ah  
 Dimension: 152x99x100mm  
 Weight: 4.1kg  
 Packing Quantity: 4PCS



**DZM12V20AH**

Rated Voltage: 12V  
 Rated Capacity: 20Ah  
 Dimension: 180x76x170mm  
 Weight: 6.15kg, or 6.55kg  
 Packing Quantity: 4PCS



**DZM12V25AH**

Rated Voltage: 12V  
 Rated Capacity: 25Ah  
 Dimension: 215x77x174mm  
 Weight: 7.2kg  
 Packing Quantity: 4PCS



**DZM12V28AH**

Rated Voltage: 12V  
 Rated Capacity: 28Ah  
 Dimension: 215x77x174mm  
 Weight: 7.8kg  
 Packing Quantity: 4PCS



**EVF12V30AH**

Rated Voltage: 12V  
 Rated Capacity: 30Ah  
 Dimension: 223x93x174mm  
 Weight: 8.1kg, or 8.5kg  
 Packing Quantity: 4PCS



**EVF12V35AH**

Rated Voltage: 12V  
 Rated Capacity: 35Ah  
 Dimension: 223x93x174mm  
 Weight: 9.8kg, or 9.0kg  
 Packing Quantity: 4PCS



**EVF12V32AH**

Rated Voltage: 12V  
 Rated Capacity: 32Ah  
 Dimension: 223x105x174mm  
 Weight: 9.5kg  
 Packing Quantity: 2PCS



**EVF12V38AH**

Rated Voltage: 12V  
 Rated Capacity: 38Ah  
 Dimension: 223x105x174mm  
 Weight: 11.5kg  
 Packing Quantity: 2PCS



**EVF12V40AH**

Rated Voltage: 12V  
 Rated Capacity: 40Ah  
 Dimension: 223x122x177mm  
 Weight: 11.2kg  
 Packing Quantity: 2PCS



**EVF12V45AH**

Rated Voltage: 12V  
 Rated Capacity: 45Ah  
 Dimension: 223x122x177mm  
 Weight: 12.8kg  
 Packing Quantity: 2PCS



**EVF12V50AH**

Rated Voltage: 12V  
 Rated Capacity: 50Ah  
 Dimension: 223x151x178mm  
 Weight: 14kg  
 Packing Quantity: 2PCS



**EVF12V58AH**

Rated Voltage: 12V  
 Rated Capacity: 58Ah  
 Dimension: 223x151x178mm  
 Weight: 16kg  
 Packing Quantity: 2PCS



**Features**

- ☆ Designed float service life is 18 years;
- ☆ Strict process control and good product consistency;
- ☆ L-shaped terminal structure design makes the sealing performance safe and reliable;
- ☆ Imported fumed silica, unique gelling process, no electrolyte stratification;
- ☆ Extremely low grid corrosion rate and water loss rate, making the working life longer;
- ☆ Excess electrolyte, large heat capacity, good heat dissipation performance, and wide operating temperature range.

**Application areas**

- ☆ UPS/EPS power supply;
- ☆ Wind energy and solar energy storage system;
- ☆ Electric power and communication DC operating system.

Model	Voltage(V)	Capacity(Ah)	Weight ± 3%(KG)	Length	Width	Height	Total height	Terminal form	Terminal arrangement
GEL2V100AH	2	100	5.6	171	72	204	209	F14	Mode 5
GEL2V200AH	2	200	11.2	170	106	330	340	F18	Mode 7
GEL2V300AH	2	300	17.3	171	150	335	345	F18	Mode 7
GEL2V400AH	2	400	24.5	210	170	335	337	F18	Mode 8
GEL2V500AH	2	500	29.6	240	170	325	338	F18	Mode 8
GEL2V600AH	2	600	35.7	300	175	330	340	F18	Mode 8
GEL2V800AH	2	800	50.0	405	175	330	340	F18	Mode 9
GEL2V1000AH	2	1000	64.3	475	170	330	340	F18	Mode 9
GEL2V1500AH	2	1500	93.8	400	350	345	382	F28	Mode 10
GEL2V2000AH	2	2000	128.5	490	350	345	382	F18	Mode 11
GEL2V3000AH	2	3000	183.6	710	350	340	383	F18	Mode 11



**Features**

- ☆ Designed float charging service life is 15 years;
- ☆ Strict process control, good product consistency::
- ☆ Unique sealing technology ensures extremely low probability of acid creep;
- ☆ Imported fumed silica, unique gelling process, no electrolyte stratification;
- ☆ Extremely low grid corrosion rate and water loss rate, making the working life longer;
- ☆ Excess electrolyte, large heat capacity, good heat dissipation performance, and wide operating temperature range.

**Application areas**

- ☆ UPS/EPS power supply;
- ☆ Power and communication system;
- ☆ Wind energy, solar energy storage system.

Model	Voltage(V)	Capacity(Ah)	Dimension ±2(mm)	Weight ±3%(KG)	Terminal form	Terminal arrangement
GEL12V18AH	12	18	180.5x76.5x167.1x167.1	5.1	F6	Mode3
GEL12V20AH	12	20	180.5x76.5x167.1x167.1	5.4	F6	Mode3
GEL12V24AH(W)	12	24	174x166x126x126	7.3	F7	Mode3
GEL12V24AH(L)	12	24	165x126x176x176	6.9	F6	Mode3
GEL12V33AH	12	33	192x128x165x180	9.6	F8/20	Mode6
GEL12V38AH	12	38	196x165x174x174	11.9	F9/21	Mode3
GEL12V65AH	12	65	349x163x175x175	19.4	F11	Mode6
GEL12V75AH	12	75	260x167x210x215	22.2	F11	Mode6
GEL12V90AH	12	90	306x168x210x215	28.6	F13	Mode6
GEL12V100AH	12	100	331x173x217x224	28.8	F13	Mode6
GEL12V120AH	12	120	406x173x215x233	32.6	F15/22	Mode6
GEL12V150AH	12	150	482x171x240x240	41.8	F16/23	Mode6
GEL12V200AH	12	200	523x240x223x226	55.1	F24	Mode2



HR series batteries are high-rate lead-acid batteries. Using CCDR stamping, it has the characteristics of high density, corrosion resistance and good consistency. In addition, the grid's high-tin multi-component alloy and special lead paste formula improve the corrosion resistance of the grid. The design of the 3D structure gives the grid a larger surface area, which is conducive to the adhesion of active materials and effectively extends the service life of the battery. Using advanced casting welding, through-wall welding and heat sealing processes, the battery has the characteristics of low internal resistance and high power density. Therefore, this series of products can output 15~25% more than ordinary AGM batteries under high power discharge for 15 minutes. power, so users can reduce the number or specifications of batteries required for configuration and reduce initial investment. The shell is made of high-strength ABS material to improve safety. HR series high-power batteries can be widely used in IDC data centers, uninterruptible power systems (UPS) and other scenarios, providing you with an excellent usage experience.

Model	Length(mm)	Width(mm)	Height(mm)	Total Height(mm)	Weight ±3%(KG)	Torque	Terminal form	Terminal arrangement
HR12V17AH	180.5	76.5	167.1	167.1	4.5kg	2-3	F6	Mode3
HR12V24AH(卧)	174	166	126	126	7.2kg	2-3	F7	Mode3
HR12V24AH(立)	165	126	176	176	6.75kg	4-6	F6	Mode3
HR12V33AH	192	128	165	180	9.4kg	4-6	F8/20	Mode6
HR12V38AH	196	165	174	174	11.7kg	4-6	F9/21	Mode3
HR12V55AH	226	138	210	215	16.2kg	4-6	F11	Mode6
HR12V65AH	349	163	175	175	19kg	8-10	F11	Mode6
HR12V75AH	260	167	210	215	21.8kg	8-10	F11	Mode6
HR12V90AH	306	168	210	215	28kg	10-12	F13	Mode6
HR12V100AH	331	173	217	224	28.2kg	10-12	F13	Mode6
HR12V120AH	406	173	215	233	32kg	10-12	F15/22	Mode6
HR12V150AH	482	171	240	240	41kg	10-12	F16/23	Mode6
HR12V200AH	523	240	223	226	54kg	10-12	F24	Mode2



**Features**

- ☆ Adopting unique lead paste formula and process design.
- ☆ High-quality raw materials ensure minimal self-discharge.
- ☆ Designed for deep cycle applications with high energy density.
- ☆ It has excellent cycle performance and over-discharge recovery ability.

**Application areas**

Control systems, electric toys, emergency lights, power tools, alarm systems, emergency lighting systems, backup power supplies, UPS, power systems, telecommunications equipment, fire protection and security systems, railway systems and power stations, etc.

Model	Voltage(V)	Capacity(Ah)	Dimension ± 2(mm)	Weight ± 3%(KG)	Terminal form	Terminal arrangement
DC6V225AH	6	225	330x180x223x228	30	F17	Mode4
DC12V18AH	12	18	180.5x76.5x167.1x167.1	5.0	F6	Mode3
DC12V20AH	12	20	180.5x76.5x167.1x167.1	5.3	F6	Mode3
DC12V24AH(W)	12	24	174x166x126x126	7.2	F7	Mode3
DC12V24AH(L)	12	24	165x126x176x176	6.75	F6	Mode3
DC12V33AH	12	33	192x128x165x180	9.4	F8/20	Mode6
DC12V38AH	12	38	196x165x174x174	11.7	F9/21	Mode3
DC12V65AH	12	65	349x163x175x175	19	F11	Mode6
DC12V75AH	12	75	260x167x210x215	21.8	F11	Mode6
DC12V90AH	12	90	306x168x210x215	28	F13	Mode6
DC12V100AH	12	100	331x173x217x224	28.2	F13	Mode6
DC12V120AH	12	120	406x173x215x233	32	F15/22	Mode6
DC12V150AH	12	150	482x171x240x240	41	F16/23	Mode6
DC12V200AH	12	200	523x240x223x226	54	F24	Mode2



**VALVE REGULATED LEAD ACID BATTERY INSTRUCTION**

**Sheet 1 CHARGE**

Ambient Temperature: 25°C

Usage	For Float Charge				For Cycle Use			
	2V	4V	6V	12V	2V	4V	6V	12V
Charging Voltage/V	2.25~2.3	4.5~4.6	6.8~6.9	13.5~13.8	2.4~2.5	4.8~5.0	7.2~7.5	14.4~15.0
Max Charging Current/A	0.1C~0.25C							

**Note:**

- 1) C means Ah value of battery's rated capacity.
- 2) When ambient temperature is below 15°C or above 35°C, the recommended compensation factor is -3mV/°C/cell (Floating Charge) or -4mV/°C/cell (Cycle) with 25°C as the starting point.
- 3) Battery temperature in charging should be in the range of -15°C~50°C
- 4) After the battery is discharged, it should be recharged immediately. Do not allow the battery to be left idle for a long time in a depleted state.

**Attentions**

- 1) Examine the appearance of the battery before use.
- 2) Store the battery in a cool place (best below 20°C or 68°F).
- 3) Recharge the battery that has been stored more than 3 months.
- 4) Charge the battery in a well-ventilated environment.
- 5) Regularly survey batteries' charging voltage to make sure it in the range of Sheet 1.
- 6) Secure the battery firmly installed in equipments.
- 7) Touching battery conductors may cause electric shock, so wear rubber gloves when inspecting or repairing batteries.



Sheet 2 DISCHARGE | Discharge Current and Discharge End Voltage | Ambient Temperature: 25°C

Discharge Current/A	Discharge End Voltage			
	2V Series	4V Series	6V Series	12V Series
0.1C or below	1.75V	3.5V	5.25V	10.5V
From 0.1C to 1C	1.7V	3.4V	5.1V	10.2V
Above:1.C	1.6V	3.2V	4.8V	9.6V

**Note:**

- 1) See above table, Final discharge voltage should vary with the change of discharge current. When discharge, voltage must not be lower than its corresponding Final discharge voltage.
- 2) Immediate charge after discharge or over discharge for retaining battery life.
- 3) Battery temperature in discharge should be in the range of -15°C~50°C.

**Prohibitions**

- 1) Short circuit the battery.
- 2) Use the battery in an airtight cabinet.
- 3) Dissect the battery.
- 4) Load and unload the battery roughly.
- 5) Attempt to use a cracked, deformed, or leaky battery.
- 6) Subject the battery to excess vibration or violent jolts.
- 7) Mixed use different batches of the battery.
- 8) Batteries of different capacities or old batteries mixed with new batteries or batteries of different models.

Different colors, different capacities, different sizes, different requirements, welcome to order!

**Note:**

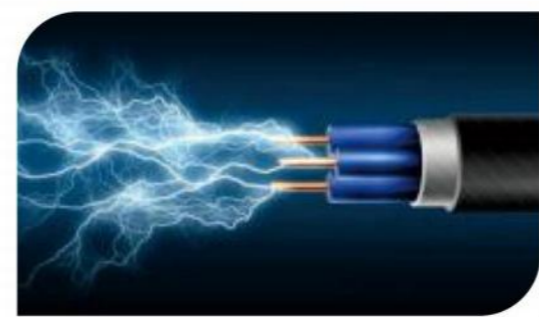
1. Longer cycle lifespan. Deep cycle power rechargeable lithium batteries with over 2000 cycles.



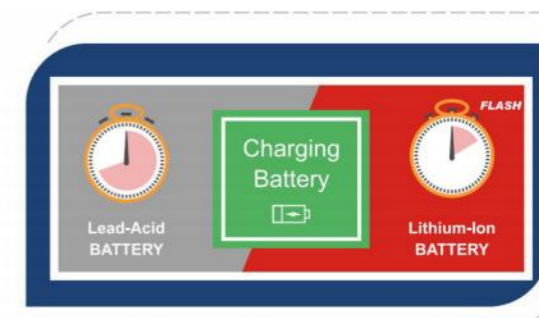
3. Power rate is more larger and weight is more light. Lithium-ion batteries weigh about 45% less than lead acid batteries.



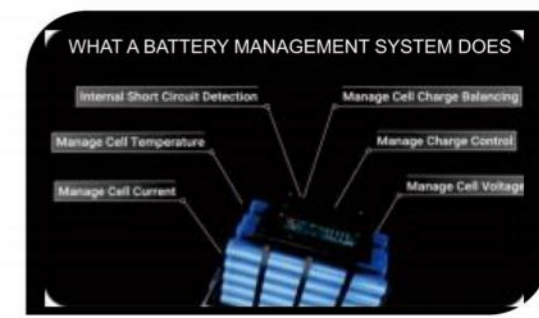
5. Suitable for large current discharge. Lithium batteries have protection circuits inside, even if they are discharged with a large current, they are also protected.



2. Shorter charging time after discharge. The lithium batteries have the characteristics of high current charging, so the charging time is faster.



4. Internal Battery Management System. BMS helps to maximize battery life and minimize downtime.



6. Built in Bluetooth for easy battery monitoring. Display charge and discharge current, battery status, battery temperature, etc., are packaged and transmitted through the Bluetooth module for statistical data, which is convenient for collection or remote transmission.



Different colors, different capacities, different sizes, different requirements, welcome to order!

### 1. Medical Equipment



### 2. UPS/EPS



### 3. Camper/RV/Marine



### 4. Storage Power systems

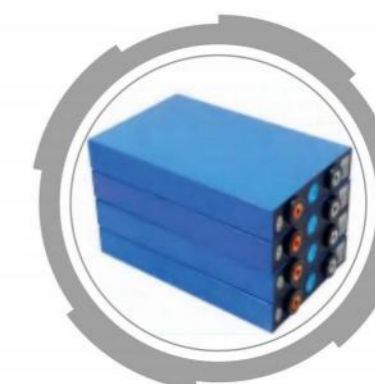
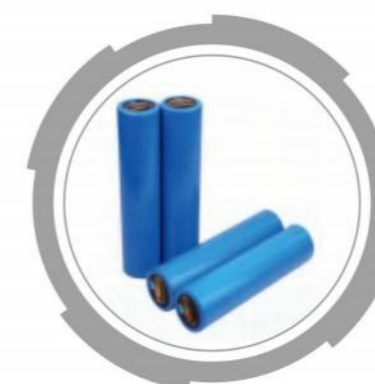


### 5. Motive Power System



### General Standby Backup Lithium Battery

Model	Voltage(V)	Capacity(Ah)	BMS(A)	Length(mm)	Wide(mm)	Height(mm)	Weight (Kg)	Terminal
12.8-8	12.8	8	8	151	65	65	1.20	F1
12.8-12	12.8	12	12	151	99	99	2.00	F2
12.8-20	12.8	20	20	181	175	175	2.80	M5
12.8-30	12.8	30	30	166	125	125	4.2	M5
12.8-40	12.8	40	40	196	175	175	5.75	M6
12.8-45	12.8	45	45	196	175	175	7.52	M6
12.8-50	12.8	50	50	257	200	200	8.12	M6
12.8-55	12.8	55	55	257	227	227	8.12	M6
12.8-60	12.8	60	60	260	209	209	8.82	M6
12.8-65	12.8	65	65	260	209	209	9.30	M6
12.8-75	12.8	75	75	260	209	209	10.8	M6
12.8-80	12.8	80	80	260	209	209	11.30	M6
12.8-100	12.8	100	100	330	214	214	13.60	M8
12.8-110	12.8	110	110	307	208	208	12.10	M8
12.8-120	12.8	120	120	407	235	235	15.50	M8
12.8-135	12.8	135	135	330	214	214	14.50	M8
12.8-150	12.8	150	150	483	241	241	16.50	M8
12.8-200	12.8	200	150	522	219	219	29.60	M8
12.8-250	12.8	250	150	522	219	219	33.00	M8
12.8-300	12.8	300	200	522	219	219	33.00	M8



Different colors, different capacities, different sizes, different requirements, welcome to order!

Different colors, different capacities, different sizes, different requirements, welcome to order!

LiFePO4 batteries are widely used to replace VRLA batteries in applications like UPS, Solar, Wind, Alarm, Emergency, etc. The batteries are built of Lithium-ironphosphate cell (LiFePO4) which makes them safe and stable. Independent research and development, using lithium iron phosphate material system, good safety, high consistency.

The cycle life is over 3000 times at 80% DOD, with no fire, and no explosion. And it has over-voltage, low voltage, over-current, over-temperature, low temperature, and short circuit protection. With Bluetooth communication APP for Android and iPhone.



Different colors, different capacities, different sizes, different requirements, welcome to order!

Front terminal batteries can effectively reduce the implementation difficulty of long and narrow front terminal battery cell structures in series processes. Improve the welding area and quality of individual cells, and enhance the internal structure of more individual cells in the battery. Ensure the reliability and stability of sealing method for battery cans and battery covers between processes. Ensure product performance.

Front Terminal Series							
Model	Voltage(V)	Capacity(Ah)	BMS(A)	Length(mm)	Wide(mm)	Height(mm)	Terminal
FT12110	12.8	110	150	395	110	290	M8
FT12135	12.8	135	150	395	110	290	M8
FT12150	12.8	150	150	551	110	288	M8
FT12225	12.8	225	200	560	125	316	M8
FT12250	12.8	250	200	560	125	316	M8
FT12300	12.8	300	200	560	125	316	M8



Different colors, different capacities, different sizes, different requirements, welcome to order!

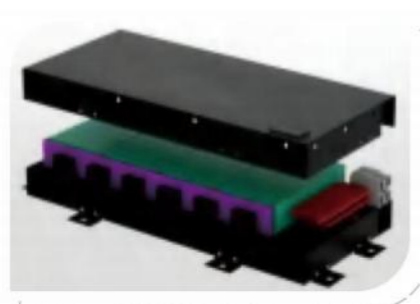
In need of high capacity but limited in space?

The Vution ultra-thin lithium battery is designed as thin as a "blade", making it an ideal ultra-thin lithium iron battery. In the most confined spaces, it can be installed where other LiFePO4 batteries cannot.

The minimum thickness of ultra-thin lithium iron phosphate is only 5 cm, so you can install it behind or under the seat. It is ideal for use with caravans, camping trailers, RVs, and provides reliable energy for camping refrigerators and 12V lights.

### Slim line Series

Model	Voltage(V)	Capacity(Ah)	BMS(A)	Length(mm)	Height(mm)	Thickness(mm)
SL12110	12.8	110	150	770	285	50
SL12135	12.8	135	150	770	285	63
SL12150	12.8	150	150	770	285	68
SL12200	12.8	200	200	770	285	82
SL12225	12.8	225	200	770	285	92
SL12250	12.8	250	200	770	285	103
SL12300	12.8	300	200	770	285	113

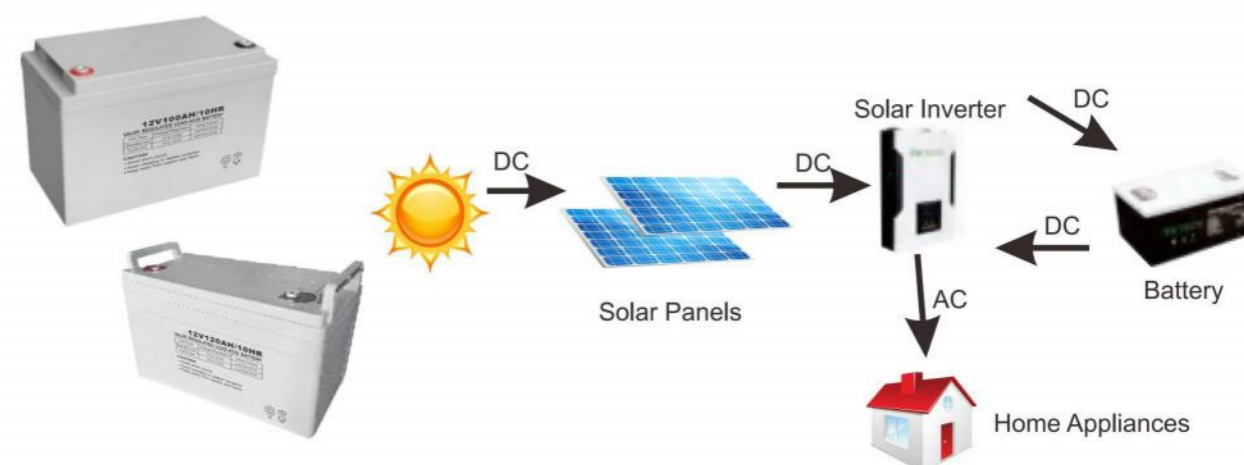


A solar battery pack is a solar energy storage system that stores energy. It is generated by your system, not sent back to the grid for your future use. When your device does not generate any energy, such as after dark or on cloudy days, you can utilize the energy reserves in the solar cell library.

Batteries are a key component of the future of clean energy, as they can match variable energy supply with energy demand. The economy of solar cells is very reasonable, as the more solar energy stored, the less energy purchased from utility companies.

### Solar Energy Storage Lithium Battery

Model	Voltage(V)	Capacity(Ah)	BMS(A)	Length(mm)	Wide(mm)	Height(mm)	Weight (Kg)	Terminal
12.8-50	12.8	50	50	257	132	200	8.12	M6
12.8-100	12.8	100	100	330	172	214	13.60	M8
12.8-150	12.8	150	150	483	170	241	16.50	M8
12.8-200	12.8	200	200	522	240	219	29.60	M8
25.6-50	25.6	50	50	260	168	208	13.10	M8
25.6-100	25.6	100	100	410	177	225	26.20	M8
25.6-200	25.6	200	200	522	268	224	52.50	M8



Lithium power batteries have the characteristics of high efficiency, long lifespan, and high performance. It has a good reputation in the fields of yachts, RVs, golf carts, sightseeing cars, etc. LiFePO4 batteries store three to four times more electricity than traditional batteries.



### Motive Power Battery

Model	Voltage(V)	Capacity(Ah)	BMS(A)	Length(mm)	Wide(mm)	Height(mm)	Weight (Kg)	Terminal
12.8-80	12.8	80	80	240	230	220	12	M6
12.8-100	12.8	100	100	330	172	214	13.5	M8
12.8-150	12.8	150	150	483	170	241	20	M8
12.8-200	12.8	200	200	522	239	217	25	M8
25.6-80	25.6	80	80	380	230	220	24	M8
25.6-100	25.6	100	100	522	240	219	25.2	M8
25.6-150	25.6	150	150	350	230	200	20	M8
25.6-200	25.6	200	200	420	230	230	36	M8
38.4-50	38.4	50	50	484	170	241	25.6	M8
38.4-100	38.4	100	100	520	260	220	35	M8
48-50	48	50	50	520	260	220	26	M8
48-100	48	100	100	520	260	220	40	M8

Features:

1. Fast charging: Safe and intelligent charging, charging at any time without affecting battery life.
2. Maintenance free: No need to regularly charge and discharge the battery for maintenance.
3. Modular design, easy to install: on-site installation can be completed within 30 minutes.
4. Environmental protection: The ingredients do not contain heavy metals.

Different colors, different capacities, different sizes, different requirements, welcome to order!

### UPS Rack-mounted lithium iron phosphate battery

Rack-mounted home energy storage	
Battery specifications	51.2V 50Ah-200Ah
Power	2.5kwh/5kwh/10kWh
Terminal type	M8-Screw/GRD 006M-CB-RD
Communication mode	RS485/CAN



### Rack-mounted High-voltage Energy Storage

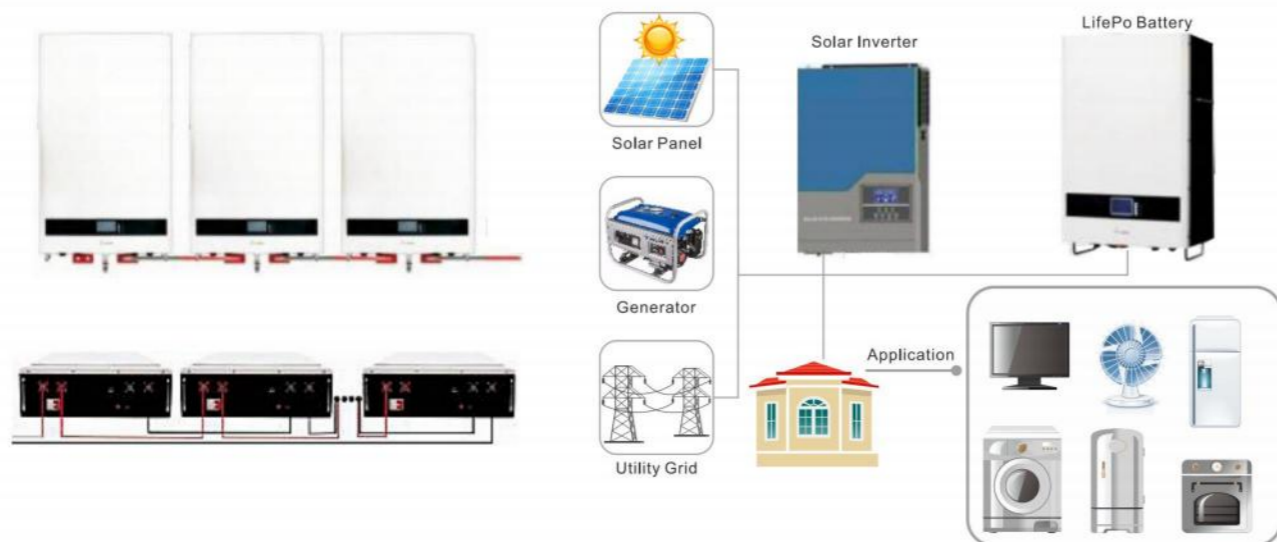
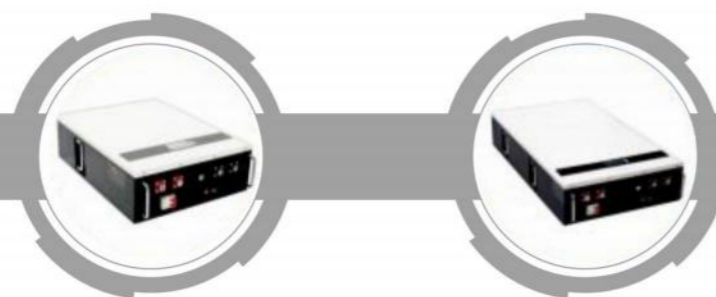
Rack-mounted home energy storage	
Battery specifications	102.4V 50Ah/80Ah/102Ah
Power	20kWh-100kwh
Charging current	16A-40A
Inverter	10kW/20KW/30kW
Output voltage	380V 3Phase

### High voltage inverter integrated system



Different colors, different capacities, different sizes, different requirements, welcome to order!

Wall mounted household energy storage	
Specifications	51.2V 100Ah/51.2V 200Ah
Charging current	50A
Discharge current	100A
Size(mm)	600*400*230mm/850*500*165mm
Size supports parallel connection of batteries	SUPPORT
Communication mode	RS485/CAN

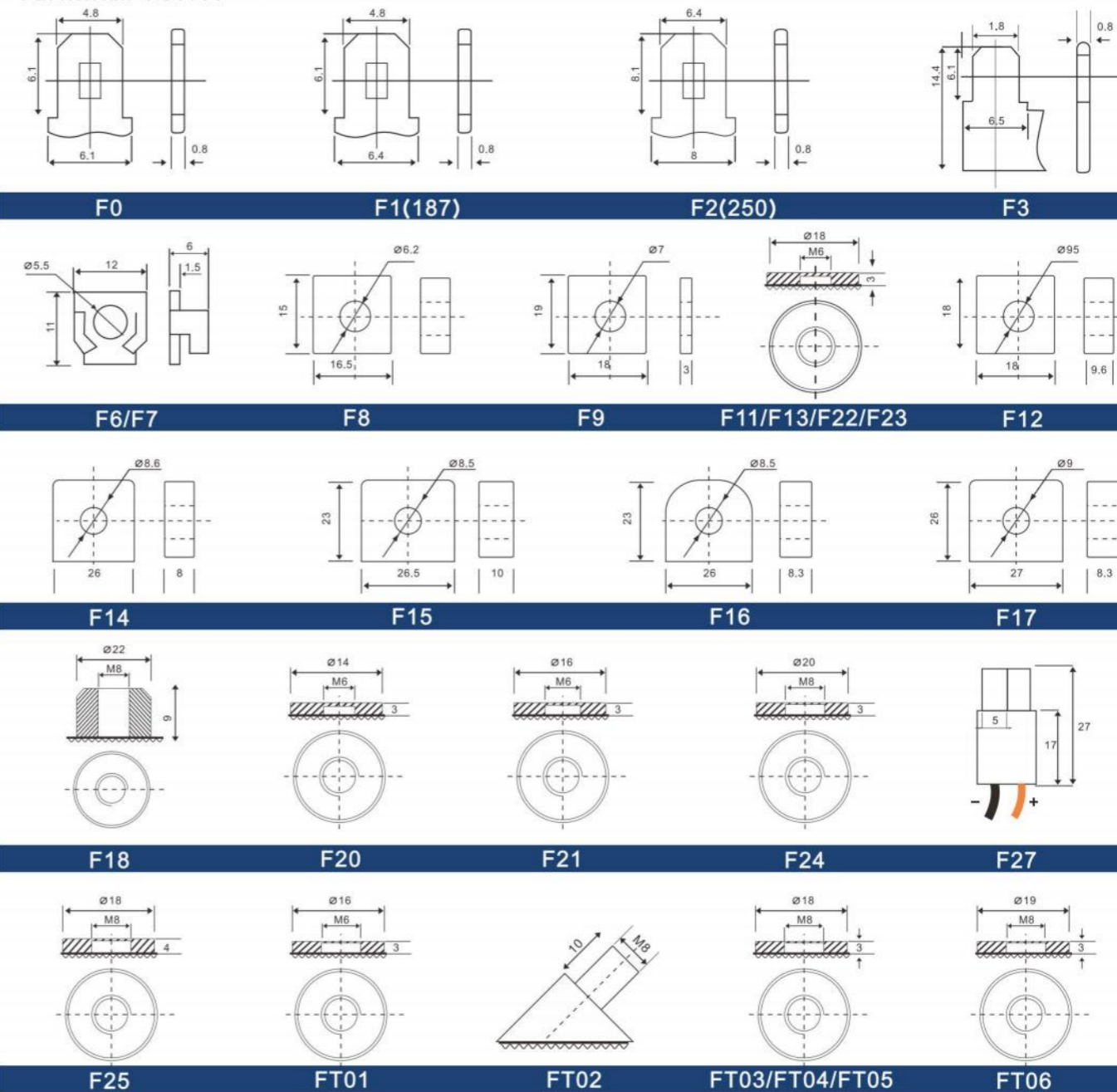


Parallel connection of battery and independent inverter

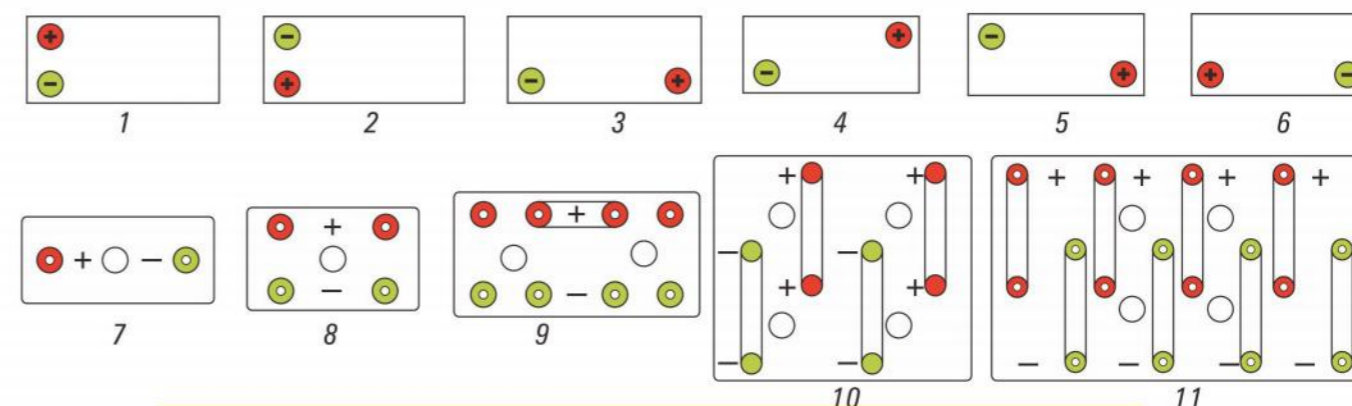
Compatible with inverters of various brands and specifications

Different colors, different capacities, different sizes, different requirements, welcome to order!

Terminal form



Terminal arrangement



Different colors, different capacities, different sizes, different requirements, welcome to order!

# Compatible with 20+ Mainstream Brand of Global Inverter



20+ inverter protocols can be selected on the display



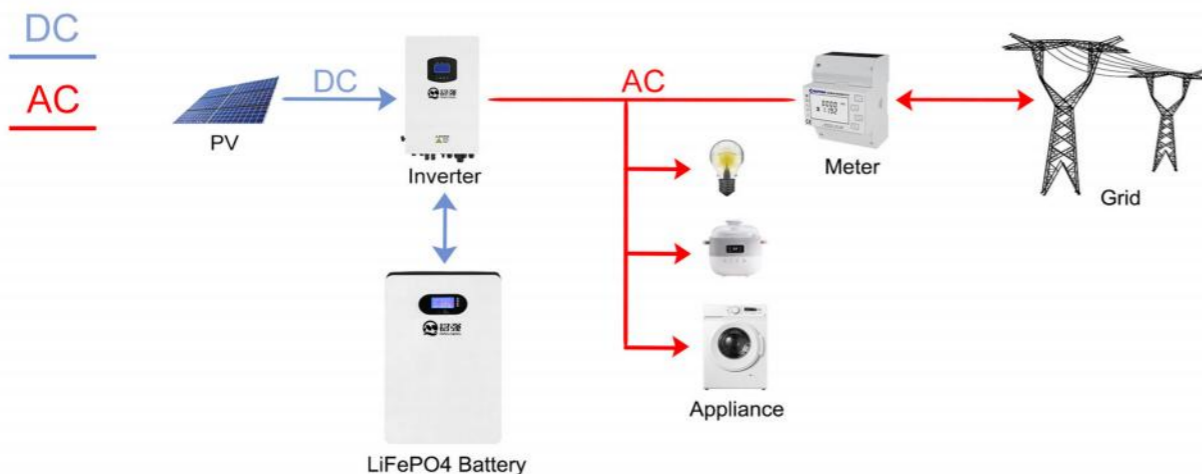
Long cycle life



Support 15 in parallel



Ultra slim design



Different colors, different capacities, different sizes, different requirements, welcome to order!

This catalog does not cover all models, please contact us for other models!



Wall Mounted (split) Household Energy Storage

	51.2V100Ah	51.2V100Ah	51.2V200Ah
<b>Model</b>	IYP-WM51100A-T1	IYP-WM51100A-A1	IYP-WM51200A-A1
<b>Battery Style</b>	48/51.2V100Ah	48/51.2V100Ah	48/51.2V200Ah
<b>Energy</b>	4.8KWh/ 5.12KWh	4.8KWh/ 5.12KWh	9.6KWh/ 10.24KWh
<b>Nominal Voltage</b>	48/51.2V	48/51.2V	48/51.2V
<b>Rated Capacity</b>	100Ah	100Ah	200Ah
<b>End-of-charge Voltage</b>	54.0V/58.0V		
<b>End-of-discharge Voltage</b>	39.0/42.0V		
<b>Standard Charge Current</b>	50A		
<b>Max. Charge Current</b>	100A		
<b>Standard Discharge Current</b>	100A	100A	100A (200A)
<b>Max. Discharge Current</b>	100A	100A	100A (200A)
<b>Max. Peak Current</b>	200A		
<b>Charge/ Discharge Interface</b>	Quick plug terminal	M8 Terminal	
<b>Communication Interface</b>	RS485/ CAN		
<b>Shell Material/ Color</b>	Metal/ (White + Black)		
<b>Size</b>	770*520*90mm	590*410*145mm	850*466*145mm
<b>Weight</b>	42/44Kg	43/45Kg	79/84Kg
<b>Work Temperature Range</b>	Charge: 0°C-50°C Discharge: -15°C-60°C		

\*THE PARAMETERS ARE FOR REFERENCE ONLY, THE ACTUAL PRODUCT SHALL PREVAIL SUPPORT CUSTOMIZATION, AND ON-DEMAND CUSTOMIZATION

# All-In-One ESS (Integrated Battery & Inverter) Dual Mode: Wall Mount and Floor Mount



All-In-One  
(Battery & Inverter)



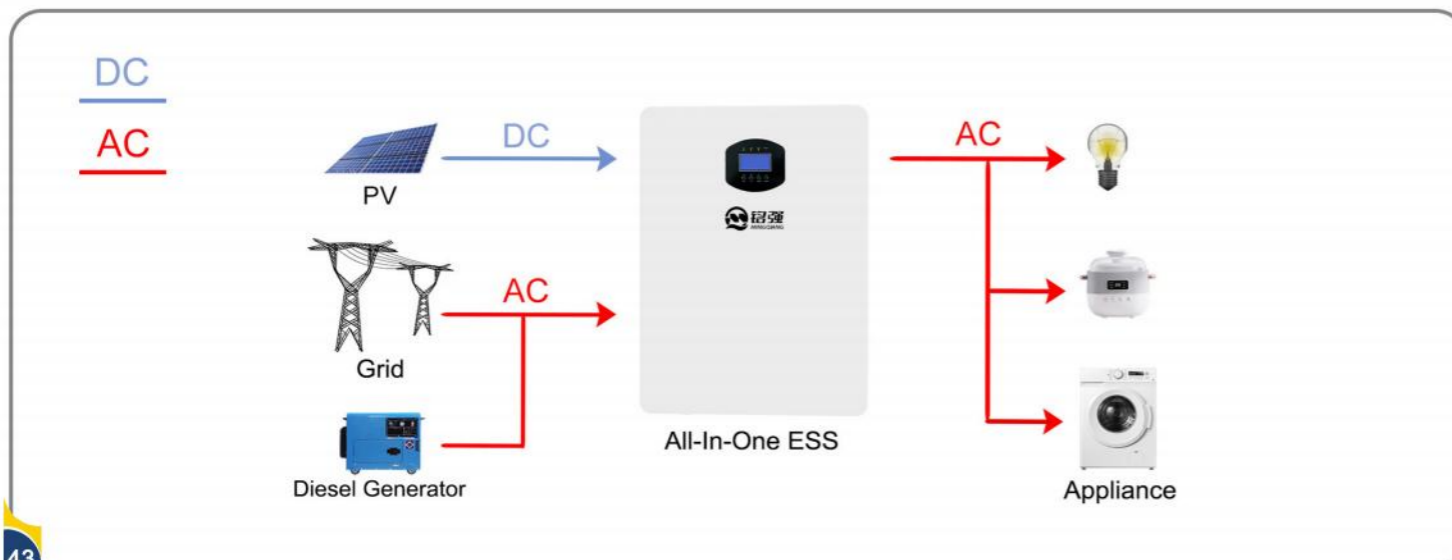
High integration and  
easy installation



Support AC charge  
and PV charge



Support UPS function



Different colors, different capacities, different sizes, different requirements, welcome to order!

This catalog does not cover all models,  
please contact us for other models!



Wall Mounted (ALL-in-One)  
Household Energy Storage

Battery + Inverter	1.28KWh+1KW	2.56KWh+3KW	5.12KWh+5KW	10.24KWh+10KW
Model	IYP-1K3A-1KF1-A1	IYP-2K5A-3KF1-A1	IYP-5K1A-5KF1-A1	IYP-10K2A-10KF1-A1
<b>Battery</b>				
Battery Type	LiFePO4 Battery			
Battery Energy	1.28KWh	2.56KWh	5.12KWh	10.24KWh
Nominal Voltage	12.8V	25.6V	51.2V	51.2V
Rated Capacity	100Ah	100Ah	100Ah	200Ah
Voltage Range	11.0~14.0V	22.0~28.0V	42.0~57.0V	42.0~57.0V
<b>PV</b>				
Max. Power	600W	3000W	5500W	10.4KW(5200W*2)
Max. PV Voltage	150Vdc	450Vdc	500Vdc	500Vdc
MPPT Voltage Range	20~150Vdc	30~400Vdc	120~430Vdc	90~450Vdc
Max. PV Charge Current	40A	80A	80A	80A*2
<b>AC Output</b>				
Rated Power	1000W	3000W	5000W	10000W
AC Voltage	230Vac±5%			
AC Frequency	50Hz/60Hz			
Efficiency	≤93%	≤94%	≤94%	≤94%
Transfer time	10ms (for PC) 20ms (for Appliance)			
Waveform	Pure sine wave			
<b>AC Input</b>				
Rated AC Voltage	230Vac			
AC Voltage Range	170~280Vac(for PC) 90~280Vac(for Applis)			
Frequency Range	50Hz/60Hz(Auto sensing)			
<b>General Parameters</b>				
Altitude	≤2000m			
Humidity	5%~95%			
Work Temperature	-10°C~50°C			
Size (mm)	450*140*280	450*140*570	500*150*730	620*150*1300
Weight (kg)	25	32	58	105

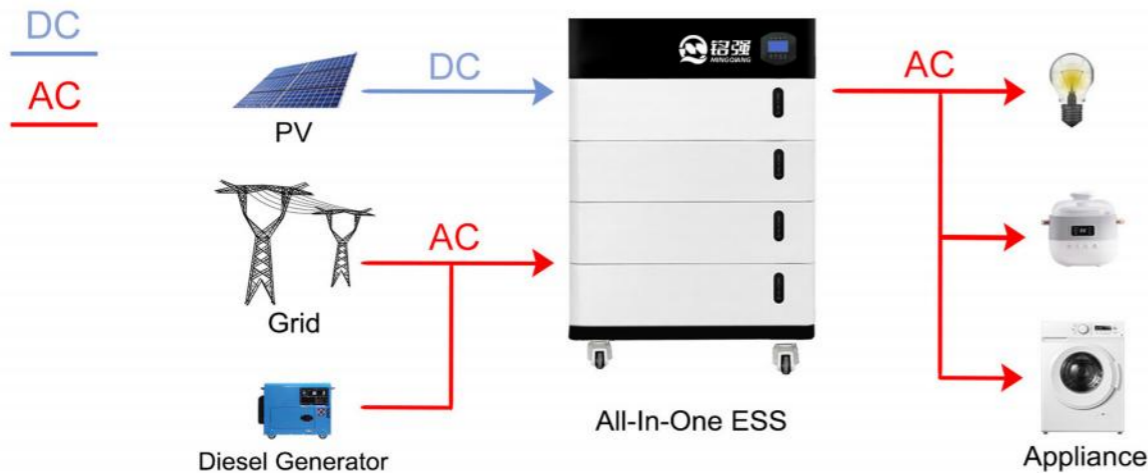
\*THE PARAMETERS ARE FOR REFERENCE ONLY, THE ACTUAL PRODUCT SHALL PREVAIL  
SUPPORT CUSTOMIZATION, AND ON-DEMAND CUSTOMIZATION

## Flexible stacking

10KWh/ 15KWh/ 20KWh/ 25KWh/ 30KWh+5KW



- Without wire connection
- All-In-One (Battery & Inverter)
- Easy installation
- 15 Levels protection



Different colors, different capacities, different sizes, different requirements, welcome to order!

This catalog does not cover all models, please contact us for other models!



Stacked (ALL-in-One) Household Energy Storage



Battery + 5KW Inverter	10KWh+5KW	15KWh+5KW	20KWh+5KW	30KWh+5KW
Model	IYP-10KWH+5KF1-A1	IYP-15KWH+5KF1-A1	IYP-20KWH+5KF1-A1	IYP-30KWH+5KF1-A1
<b>Battery</b>				
Battery Voltage	51.2V			
Battery capacity	200Ah	300Ah	400Ah	600Ah
Charge voltage	58.0V			
Discharge cut-off voltage	42.0V			
Charge current	50A			
Max charge current	100A			
Discharge current	100A			
Max discharge current	150A			
Max peak current	300A			
Communication method	RS485/ CAN			
<b>Inverter</b>				
Power	5KW			
Output Voltage	230VAC			
Frequency	50Hz			
Input power (PV)	5KW			
Input voltage range (PV)	120~430VDC			
Communication connect port	RS485/ CAN/ WiFi			
<b>General Parameters</b>				
Material/ Colour	Metal/ White			
Size	585*360*610mm	585*360*760mm	585*360*915mm	585*360*1225mm
Weight	105Kg (about)	148Kg (about)	191kg (about)	234kg (about)
Temperature	Charge: 0°C-50°C Discharge: -15°C-60°C			

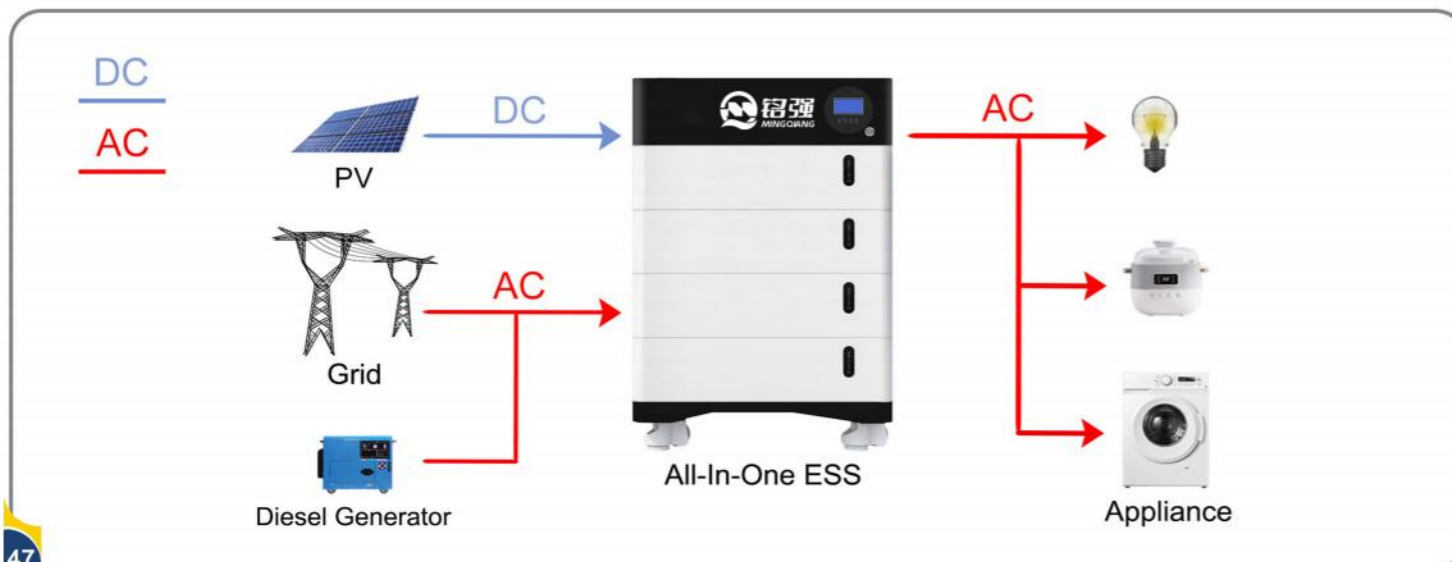
\*THE PARAMETERS ARE FOR REFERENCE ONLY, THE ACTUAL PRODUCT SHALL PREVAIL SUPPORT CUSTOMIZATION, AND ON-DEMAND CUSTOMIZATION

# Flexible stacking

## 10KWh/ 15KWh/ 20KWh/ 25KWh/ 30KWh+10KW



-  Without wire connection
-  All-In-One (Battery & Inverter)
-  Easy installation
-  15 Levels protection


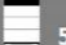




Different colors, different capacities, different sizes, different requirements, welcome to order!

This catalog does not cover all models, please contact us for other models!



Stacked (ALL-in-One) Household Energy Storage

Battery + 10KW Inverter	10KWh+10KW	15KWh+10KW	20KWh+10KW	30KWh+10KW
Model	 IYP-10KWH+10KF1-A1	 IYP-5KWH+10KF1-A1	 IYP-20KWH+10KF1-A1	 IYP-30KWH+10KF1-A1
<b>Battery</b>				
Battery Voltage	51.2V			
Battery capacity	200Ah	300Ah	400Ah	600Ah
Charge voltage	58.0V			
Discharge cut-off voltage	42.0V			
Charge current	100A			
Max charge current	200A			
Discharge current	200A			
Max discharge current	220A			
Max peak current	300A			
Communication method	RS485/ CAN			
<b>Inverter</b>				
Power	10KW			
Output Voltage	230VAC±5%			
Frequency	50Hz/60Hz			
Input power (PV)	10500W			
Input voltage range (PV)	90~450VDC			
Communication connect port	RS485/ WiFi			
<b>General Parameters</b>				
Material/ Colour	Metal/ White			
Size	590*550*611mm	590*550*760mm	590*550*909mm	590*550*1058mm
Weight	113Kg (about)	155Kg (about)	197kg (about)	239kg (about)
Temperature	Charge: 0°C-50°C Discharge: -15°C-60°C			

\*THE PARAMETERS ARE FOR REFERENCE ONLY, THE ACTUAL PRODUCT SHALL PREVAIL SUPPORT CUSTOMIZATION, AND ON-DEMAND CUSTOMIZATION

# All-In-One ESS (Integrated Battery & Inverter) Dual Mode: Wall Mount and Floor Mount



All-In-One  
(Battery & Inverter)



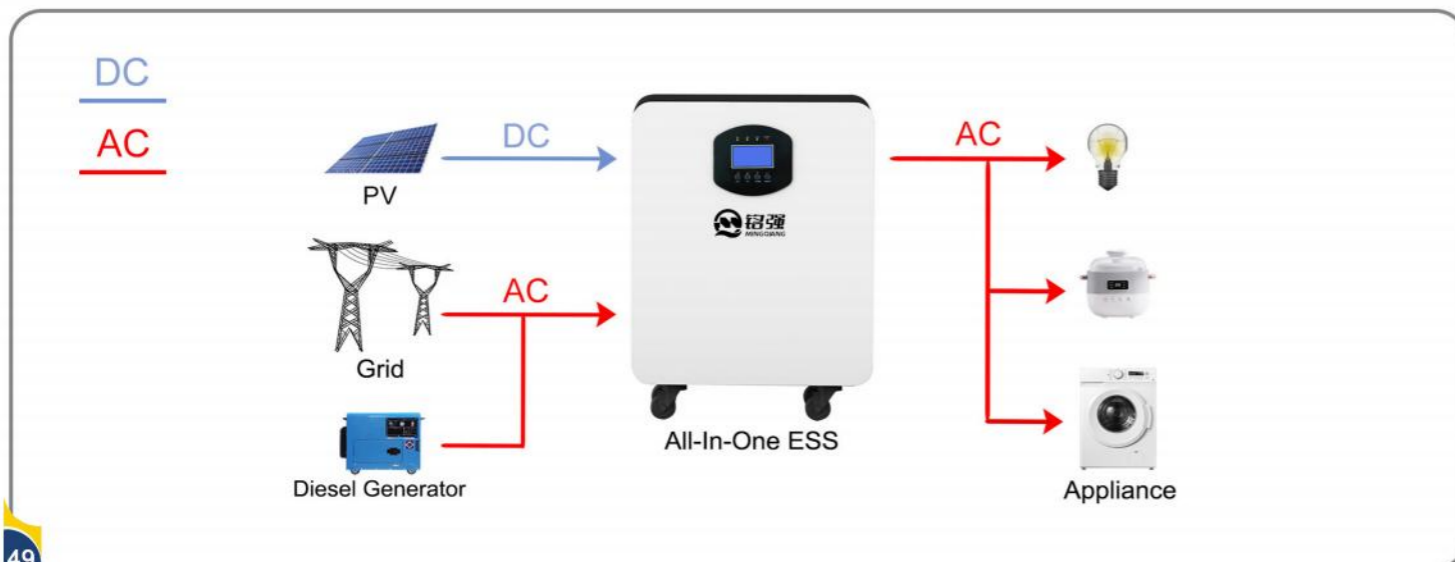
High integration and  
easy installation



Support AC charge  
and PV charge



Support UPS function



This catalog does not cover all models,  
please contact us for other models!



Standed (ALL-in-One)  
Household Energy Storage

Battery + Inverter	1.28KWh+1KW	2.56KWh+3KW	5.12KWh+3KW	5.12KWh+5KW	10.24KWh+10KW
Model	IYP-1K3A-1KF1-B1	IYP-2K5A-3KF1-B1	IYP-5K1A-3KF1-B1	IYP-5K1A-5KF1-B1	IYP-10K2A-10KF1-B1
<b>Battery</b>					
Battery Type	LiFePO4 Battery				
Battery Energy	1.28KWh	2.56KWh	5.12KWh	5.12KWh	10.24KWh
Nominal Voltage	12.8V	25.6V	51.2V	51.2V	51.2V
Rated Capacity	100Ah	100Ah	100Ah	100Ah	200Ah
Voltage Range	11.0~14.0V	22.0~28.0V	42.0~57.0V	42.0~57.0V	42.0~57.0V
<b>PV</b>					
Max. Power	1000W	3600W	3600W	5500W	10.4KW(5200W*2)
Max. PV Voltage	105Vdc	500Vdc	500Vdc	500Vdc	500Vdc
MPPT Voltage Range	20~100Vdc	40~450Vdc	40~450Vdc	120~450Vdc	90~450Vdc
Max. PV Charge Current	50A	60A	60A	80A	80A*2
<b>AC Output</b>					
Rated Power	1000W	3000W	3000W	5000W	10000W
AC Voltage	230Vac±5%				
AC Frequency	50Hz/60Hz				
Efficiency	≤91%	≤94%	≤94%	≤94%	≤94%
Transfer time	10ms (for PC) 20ms (for Appliance)				
Waveform	Pure sine wave				
<b>AC Input</b>					
Rated AC Voltage	230Vac				
AC Voltage Range	170~280Vac(for PC) 90~280Vac(for Applis)				
Frequency Range	50Hz/60Hz(Auto sensing)				
<b>General Parameters</b>					
Altitude	≤2000m				
Humidity	5%~95%				
Work Temperature	-10°C~50°C				
Size (mm)	310*220*460	370*225*510	450*270*610	450*270*610	485*270*770
Weight (kg)	25	32	54	58	105

\*THE PARAMETERS ARE FOR REFERENCE ONLY, THE ACTUAL PRODUCT SHALL PREVAIL  
SUPPORT CUSTOMIZATION, AND ON-DEMAND CUSTOMIZATION

Different colors, different capacities, different sizes, different requirements, welcome to order!

# All-In-One ESS

## Integrated Battery & Inverter



All-In-One  
(Battery & Inverter)



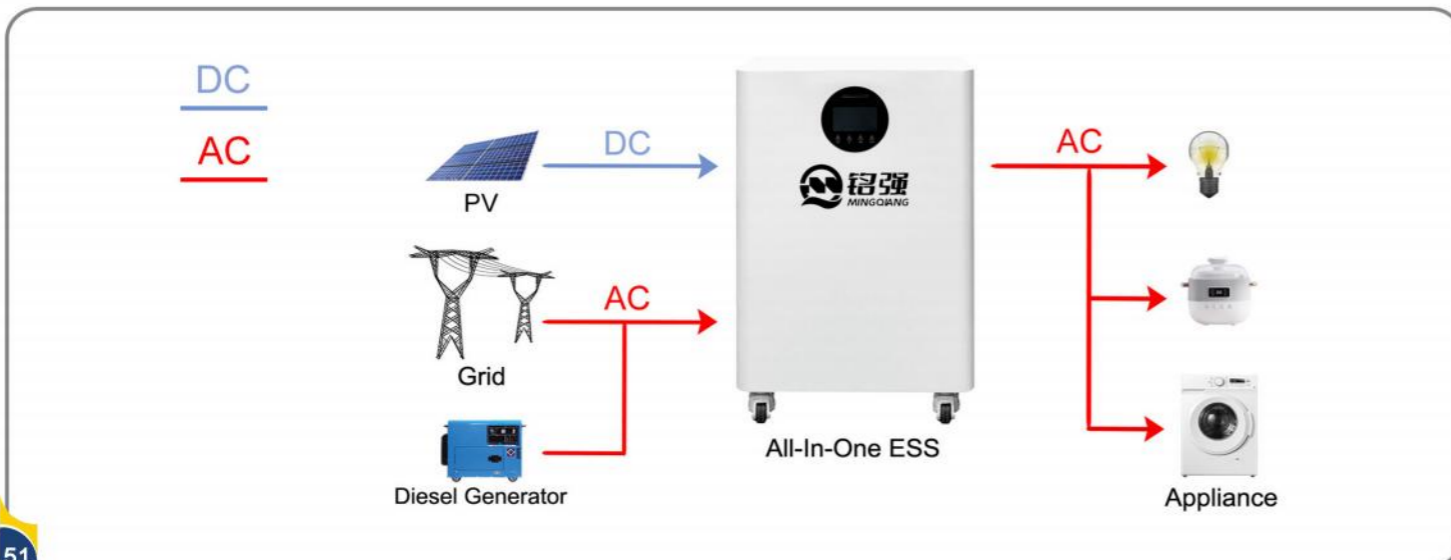
High integration and  
easy installation



Support AC charge  
and PV charge



Support UPS function



Different colors, different capacities, different sizes, different requirements, welcome to order!

This catalog does not cover all models,  
please contact us for other models!



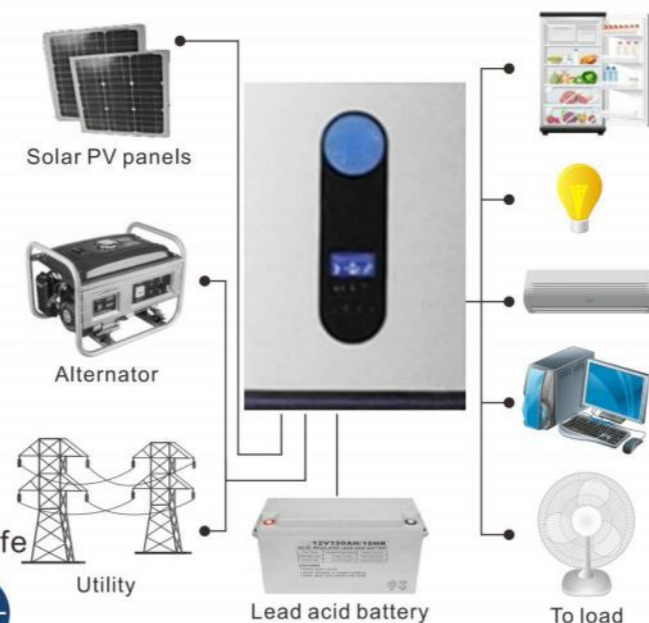
Standed (ALL-in-One)  
Household Energy Storage

<b>Battery + Inverter</b>	<b>15KWh+10KW</b>
<b>Model</b>	<b>IYP-15K1A-10KF1-A1</b>
<b>Battery</b>	
Battery Type	LiFePO4 Battery
Battery Energy	15KWh
Nominal Voltage	51.2V
Rated Capacity	280Ah
Voltage Range	42.0~58.0V
<b>PV</b>	
Max. Power	10.4KW(5200W*2)
Max. PV Voltage	500Vdc
MPPT Voltage Range	90~450Vdc
Max. PV Charge Current	80A*2
<b>AC Output</b>	
Rated Power	10000W
AC Voltage	230Vac±5%
AC Frequency	50Hz/60Hz
Efficiency	≤94%
Transfer time	10ms (for PC) 20ms (for Appliance)
Waveform	Pure sine wave
<b>AC Input</b>	
Rated AC Voltage	230Vac
AC Voltage Range	170~280Vac(for PC) 90~280Vac(for Applis)
Frequency Range	50Hz/60Hz(Auto sensing)
<b>General Parameters</b>	
Altitude	≤2000m
Humidity	5%~95%
Work Temperature	-10°C~50°C
Size (mm)	510*376*782
Weight (kg)	125

\*THE PARAMETERS ARE FOR REFERENCE ONLY, THE ACTUAL PRODUCT SHALL PREVAIL  
SUPPORT CUSTOMIZATION, AND ON-DEMAND CUSTOMIZATION

## Features

- Pure sine wave solar inverter(on/off Grid)
- Output power factor 1.0
- Wifi & GPRS available for IOS and android
- Inverter can run without battery
- One-key restoration to factory Settings
- Built-in battery automatic activation
- Built-in 120A mppt Solarcharge
- High PV input voltage range(60-500VDC)
- Built-in anti-dust kit for harsh environment
- Smart battery charge design to optimize battery life



Model	HY-3.6KW PLUS	HY-4.2KW PLUS	HY-6.2KW PLUS
Maximum PV Input Power	6200W	6200W	6500W
Rated Output Power	3600W	4200W	6200W
Maximum Solar Charging Current	120A		
Nominal Dc Voltage/Maximum Dc Voltage	360VDC/500VDC		
Start-up Voltage/Initial Feeding Voltage	60VDC/90VDC		
MPPT Voltage Range	60-450VDC		
Number of MPPT Trackers/maximum Input Current	1/18A	1/18A	1/22A
Nominal Output Voltage	220/230/240VAC		
Output Voltage Range	195.5-253VAC		
Nominal Output Current	15.7A	18.2A	27.0A
Power Factor	>0.99	27VDC	27VDC
Feed-in Grid Frequency Range	49-51±1Hz	33VDC	33VDC
Maximum Conversion Efficiency (Solar To AC)	98%		
Full Load	3600W	4200W	6200W
Maximum Main Load	3600W	4200W	6200W
Maximum Second Load(battery Mode)	1200W	1400W	2067W
Main Load Cut Off Voltage	22VDC	22VDC	44VDC
Main Load Return Voltage	26VDC	26VDC	52VDC
AC Start-up Voltage/auto Restart Voltage	120-140VAC/180VAC		
Acceptable Input Voltage Range	90-280VAC or 170-280VAC		
Maximum AC Input Current	30A	30A	40A
Nominal Operating Frequency	50/60Hz		
Surge Power	7200W	8400W	12400W
Nominal Output Voltage	220/230/240VAC		
Output Waveform	Pure sine wave		
Efficiency (DC To AC)	94%		
Nominal DC Voltage	24VDC	24VDC	48VDC
Maximum Charging Current (Solar To AC)	120A		
Maximum AC Charging Current	100A		
Dimension D*W*H(mm)	420*350*110		
Package Dimension D*W*H(mm)	500*410*190		
Net Weight(kgs)	8	8.5	9
Gross Weight(kgs)	9	9.5	10
Communication Port	RS232/WIFI/GPRS/ BATTERY		

Different colors, different capacities,different sizes, different requirements, welcome to order!



Configuration diagram of Solar and wind power generation system

Many areas have abundant solar and wind resources. Meantime,there may have the problems with shortage of energy andenvironmental pollution. Therefore,we can change the energy structure then help to improve the environment. Both of solar andwind energies are influenced by the seasons, the temperature and the environment strongly. They are two kinds of unstable energiesbut also are complementary. That's why they can improve energy efficiency and economic benefits

The system has three modes of operation based on the changes of wind and solar energy.

- ☆ Mode 1: Wind turbines supply power to the load alone
- ☆ Mode 2: solar panels supply power to the load alone
- ☆ Mode 3: wind turbines and solar panels supply power to the load together

## Large solar power generation system

Solar PV modules absorb light and convert solar energy into electricity Dc power. Battery connect together become batterypack, later the inverter convert AC to DC power, finally distribute power every applications.



These factors should be considered in the solar power generation system.

1. Consider the place where solar photovoltaic power generation system using as well as the local solar radiation
2. Consider the load power
3. Consider the output voltage of the system and the use of a DC or AC power
4. Consider how many hours that the system works per day
5. If there is no sunlight in rainy weather, how many days should the system continuously supply power

Different colors, different capacities,different sizes, different requirements, welcome to order!



## Instruction

CHG15W charger uses excellent materials and clever design. The self-protection function can avoid damage caused by improper use, and the circuit design can extend the service life of the battery.

## Application areas

This charger can be used to charge lead-acid or gel batteries (capacity range: 2.5Ah-20Ah)

## Features

1. 3 step charging, the charging effect is better when the battery and charger are connected for a long time.
2. Short circuit protection function. It can prevent the clamp from being damaged by short circuit.
3. Reverse connection protection function. It can prevent damage caused by incorrect connection of positive and negative poles.

## Note

1. No output when disconnected from battery.
2. Make sure the positive wire (red) is connected to the positive terminal and the negative wire (black) is connected to the negative terminal.
3. Please read the instructions carefully before use and installation.
4. The charger voltage is equivalent to the grid voltage. Do not disassemble the device except by professional technicians.
5. The charger should be used in a dry and clean environment, avoiding moisture or dust.
6. Other parameters unspecified can be customized.

Input voltage	AC 90V-265V 47HZ-63HZ
Maximum output power	15W
Float charge voltage	13.8V ± 0.5%
Constant current charge	1A ± 0.5%
Constant voltage charge	14.8V
Switching current	0.45A-0.55A
Power efficiency	>77%
Output ripple	85 mvp-p
Red/Green signal	red light - charging, green light - fully charged
Overload protection	when exceeding 115% of total output power
Size (L*W*H)	73.5*49*29 mm
Weight	108g
Length of AC input wire	30 cm
Length of DC output wire	1m
Environment temperature	-40°C to +55°C
Humidity	<95%
Safety level	1 (IEC364-4-41)
Protection rating	IP65

